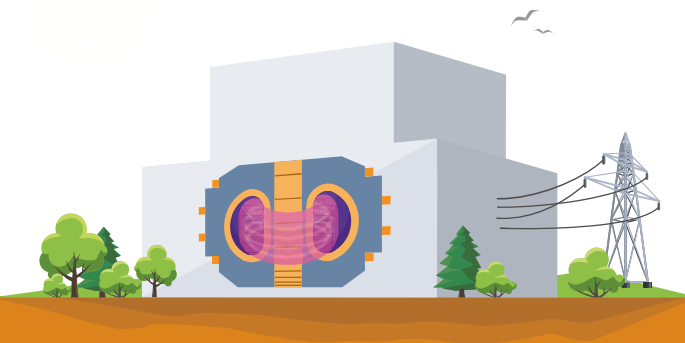
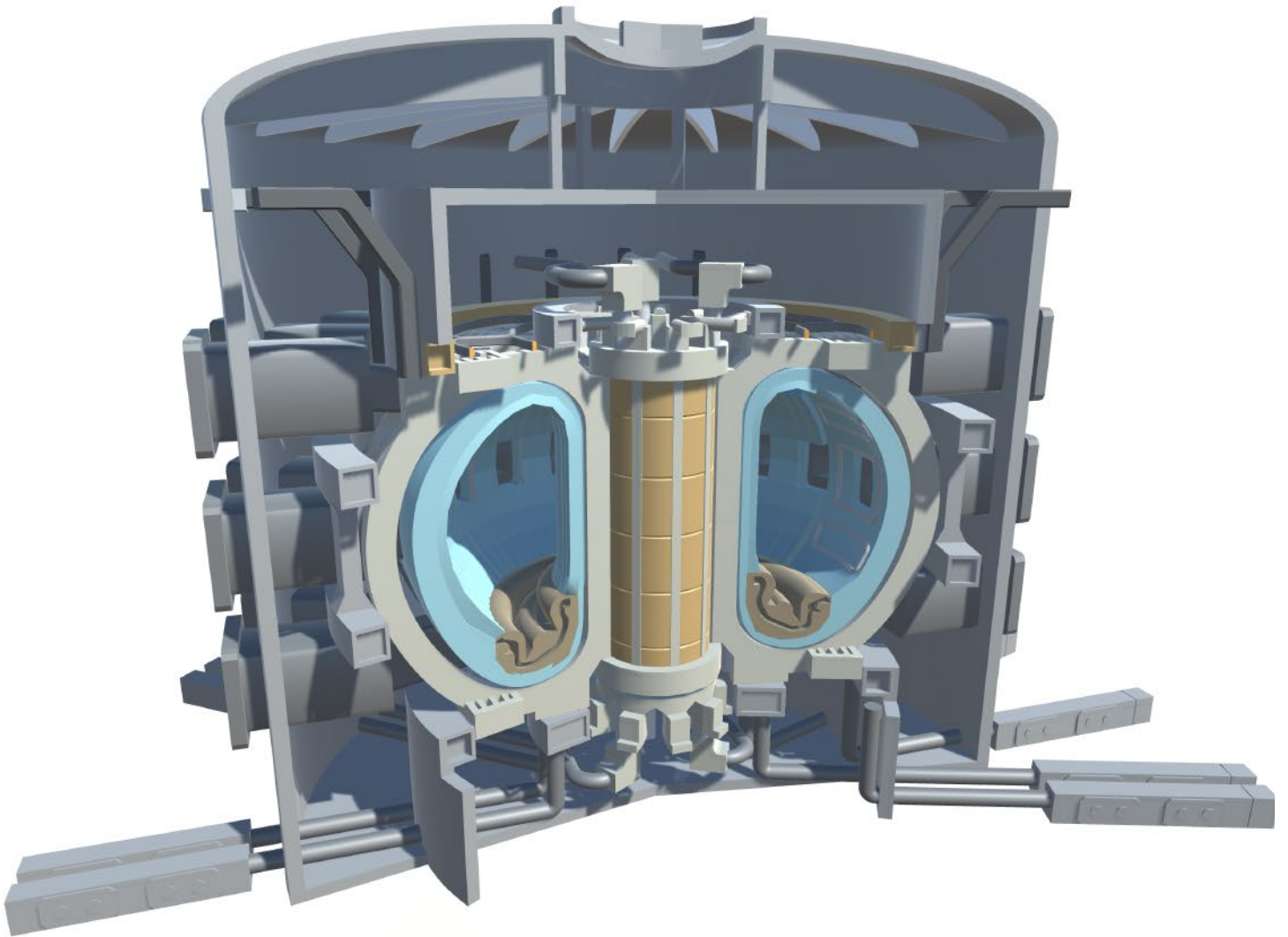
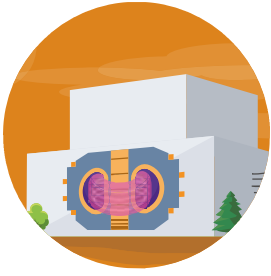


# TOKAMAK

1:145



**ASSEMBLY INSTRUCTIONS**



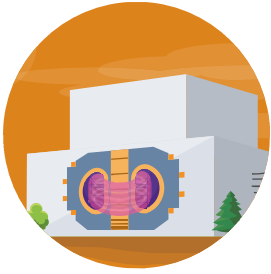
ENERGYENCYCLOPEDIA.COM

# INFO

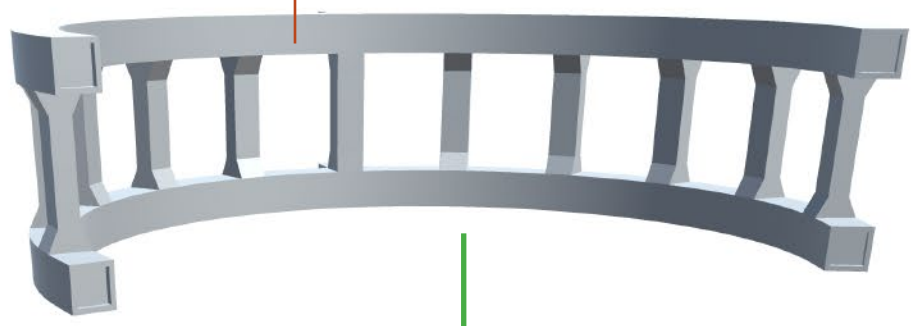
**THE MODEL CAN BE PUT TOGETHER WITHOUT GLUEING.**

**IF GLUE IS NEEDED, IT WILL BE MARKED WITH A GLUE ICON AND/OR A GREEN ARROW.**

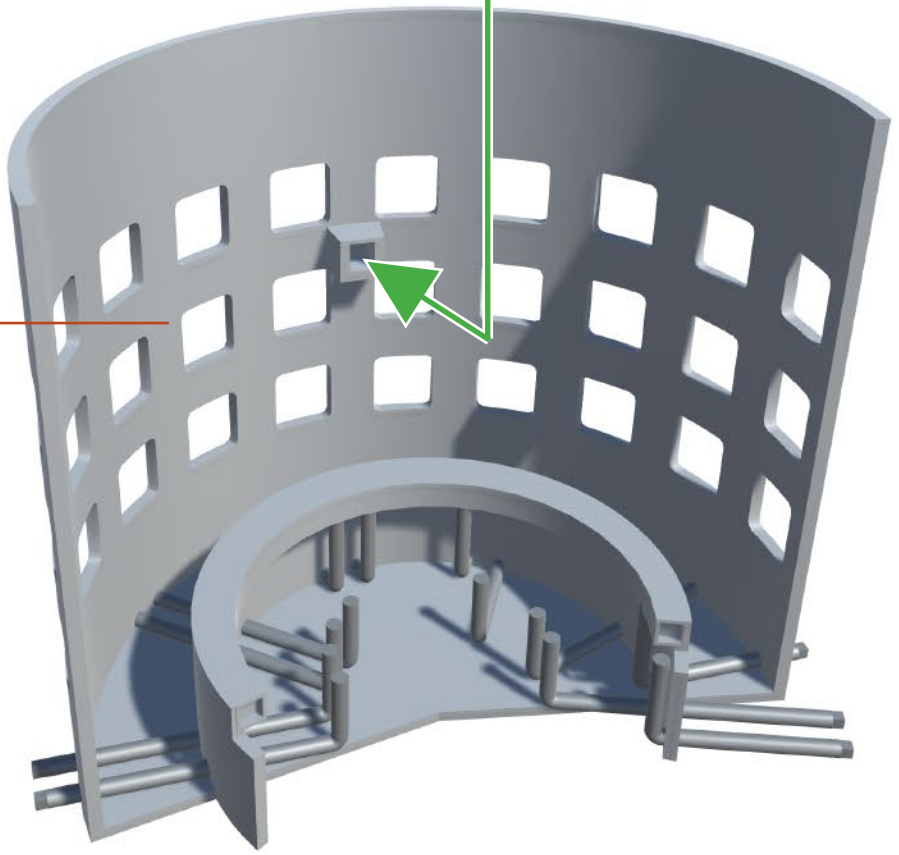




02



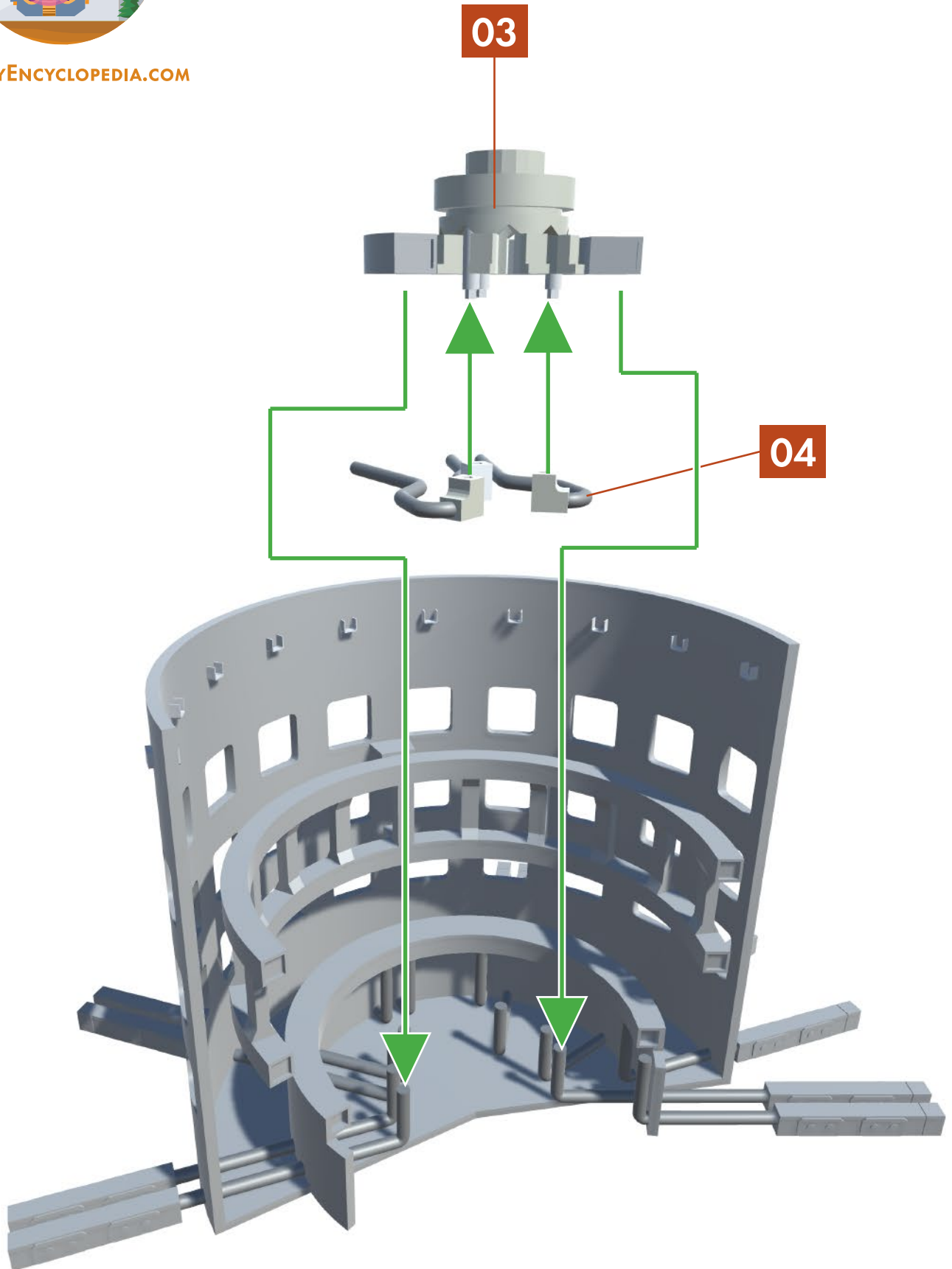
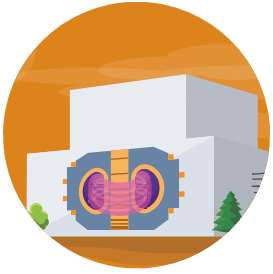
01A

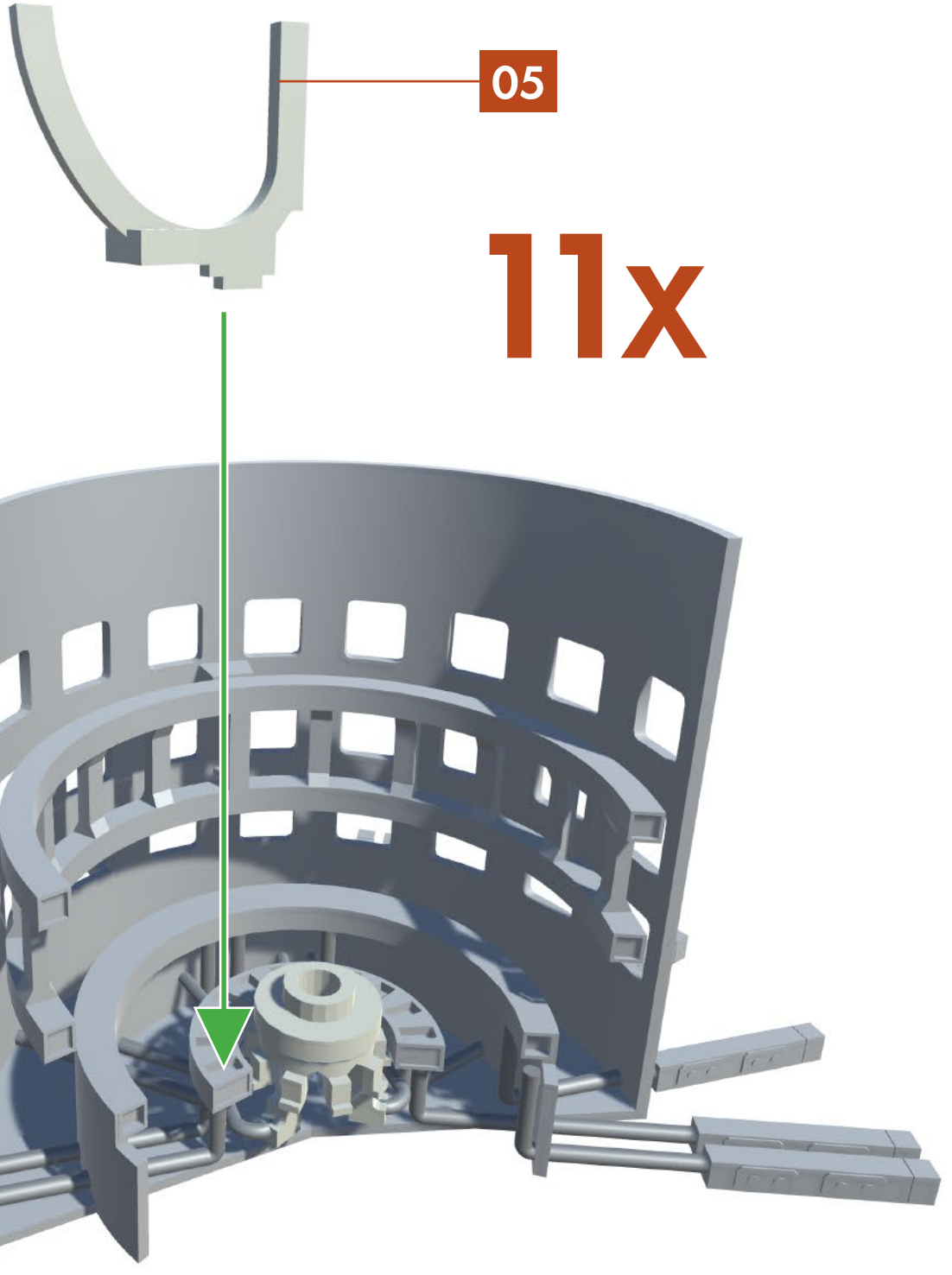
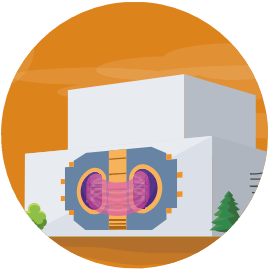


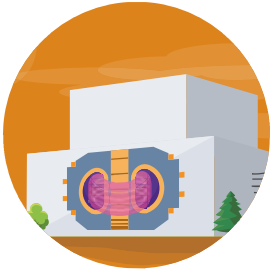
01B

12x



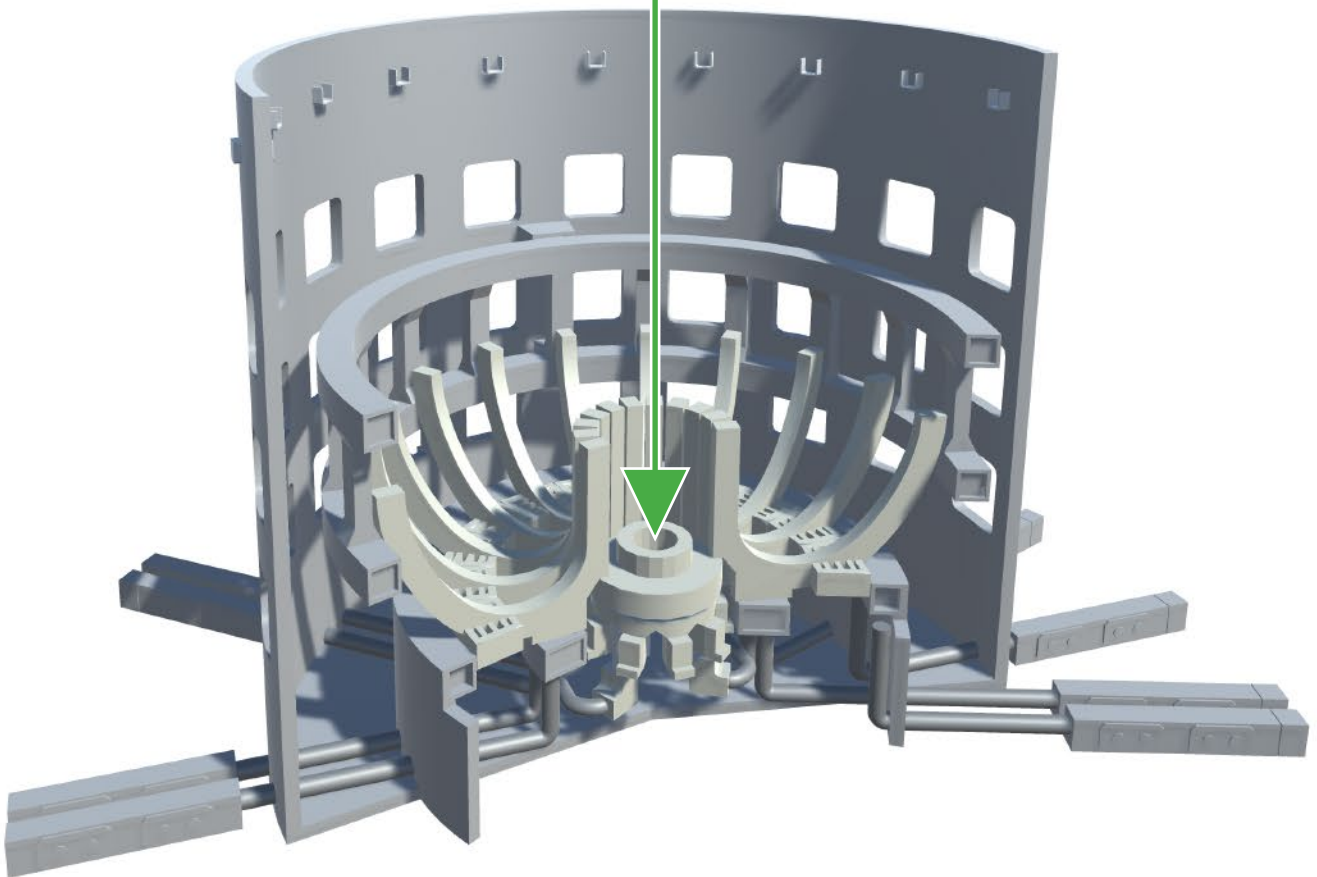




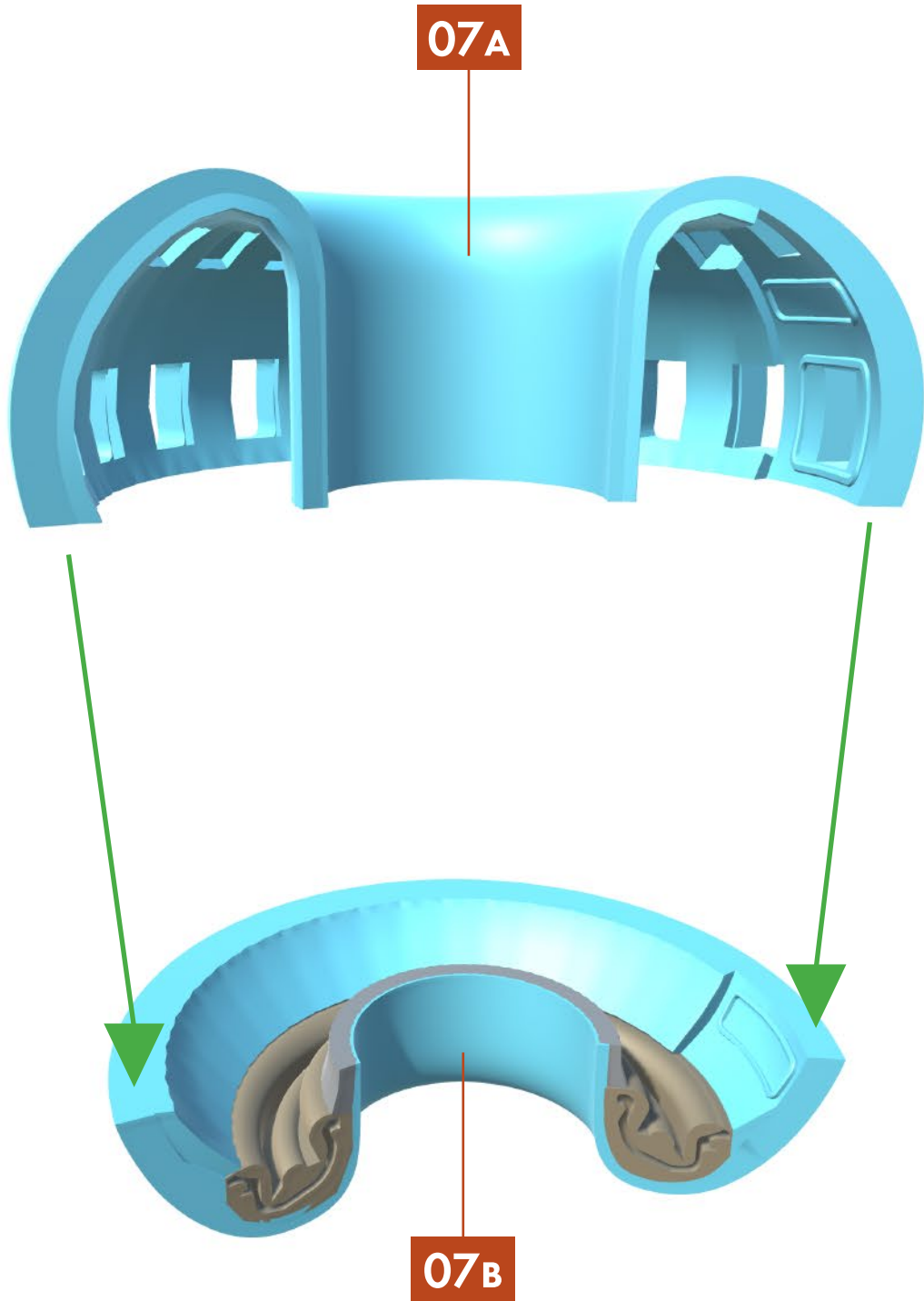
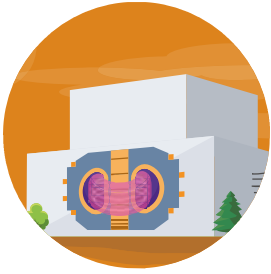


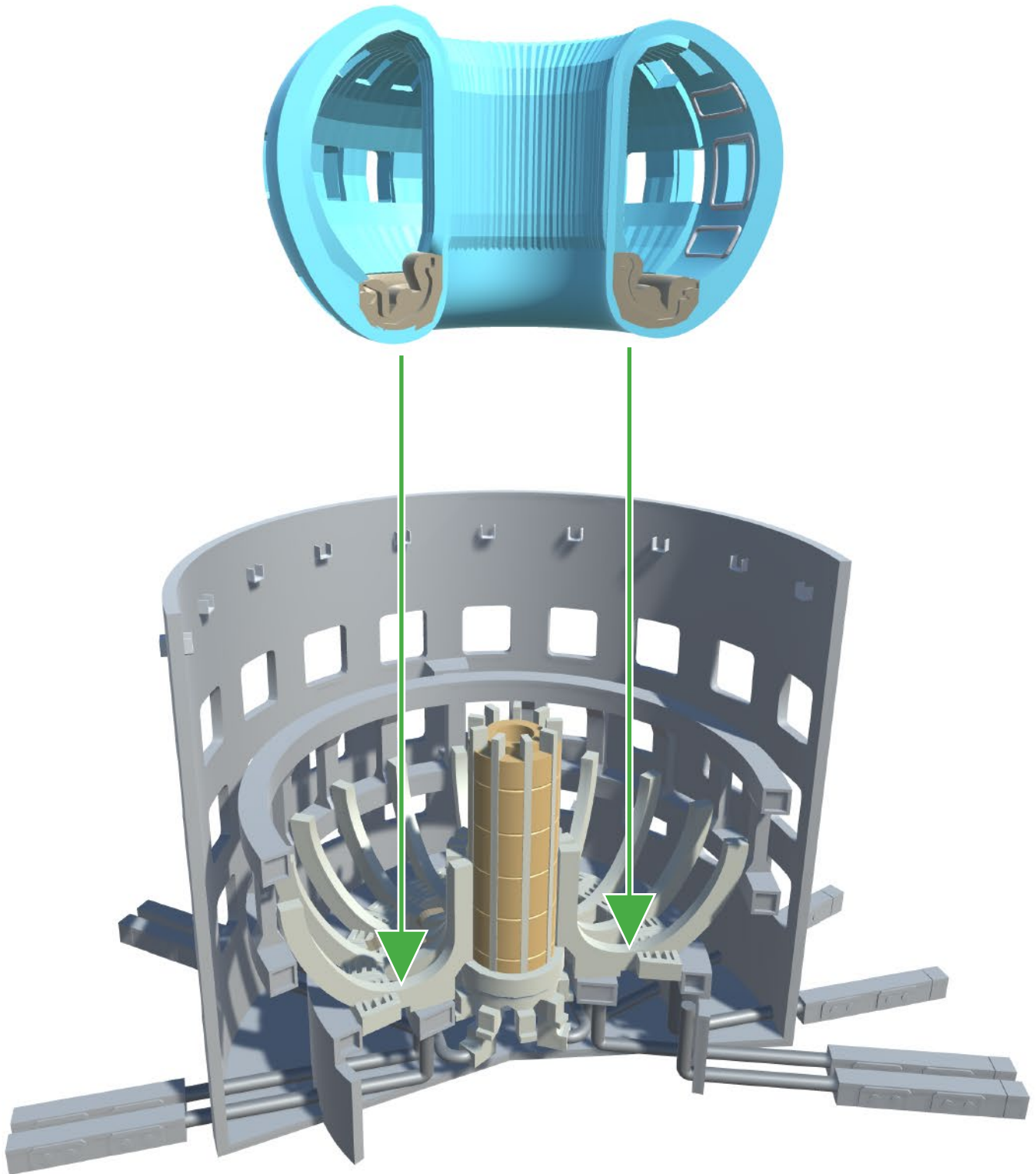
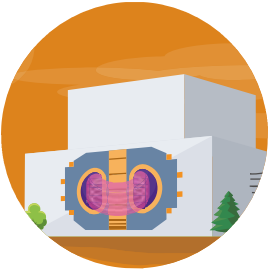
ENERGYENCYCLOPEDIA.COM

06

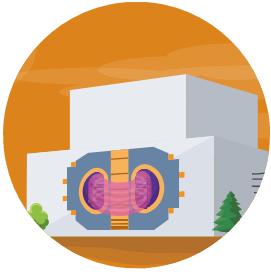


5



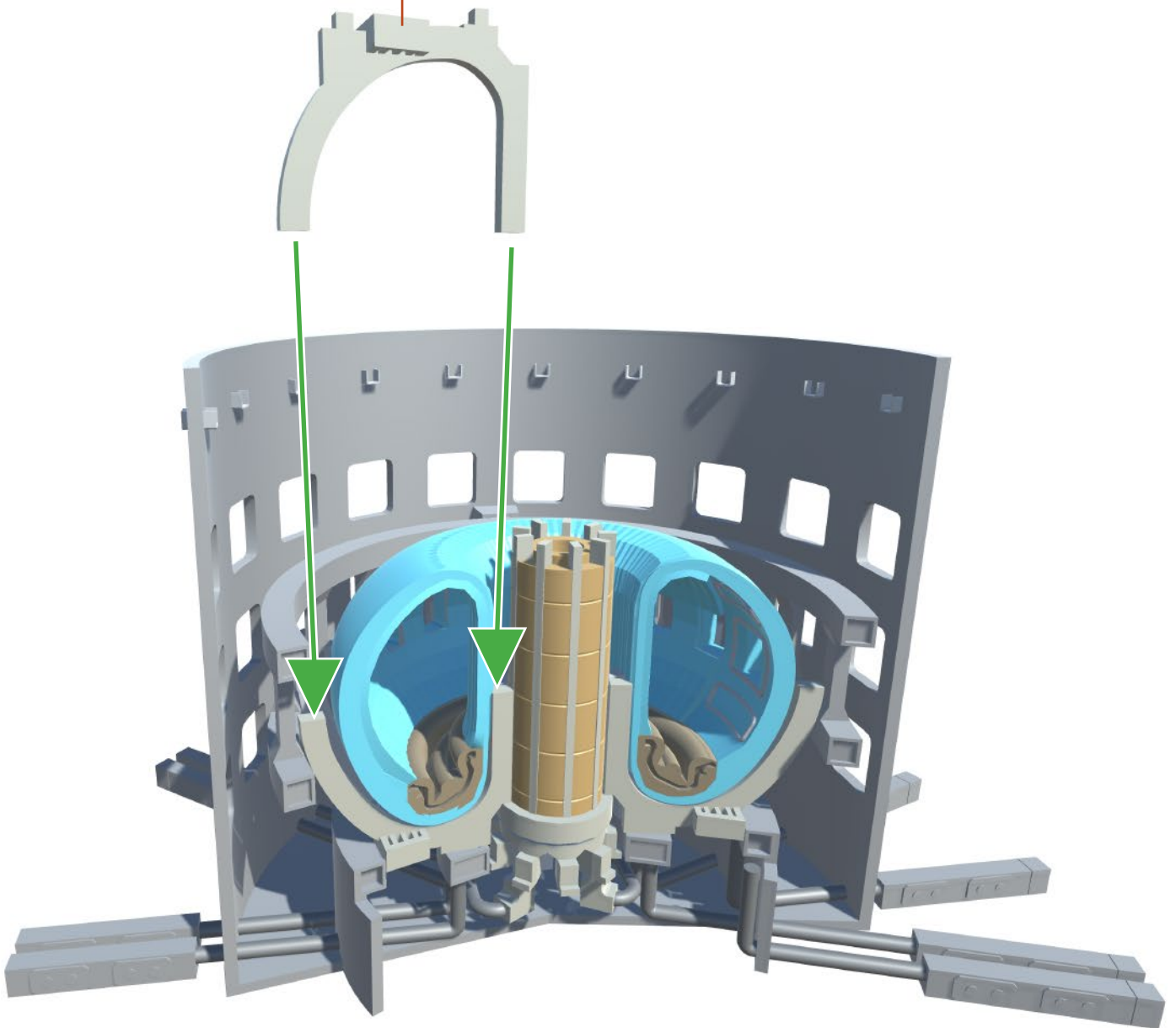


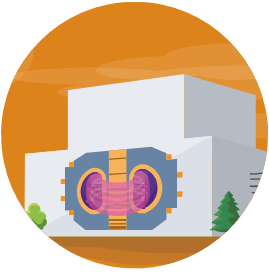




09

11x





08

10x

