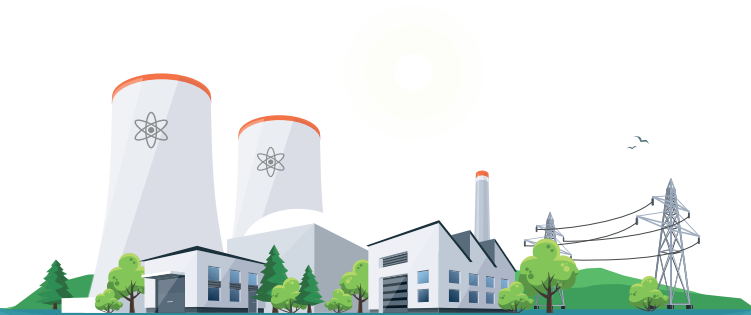
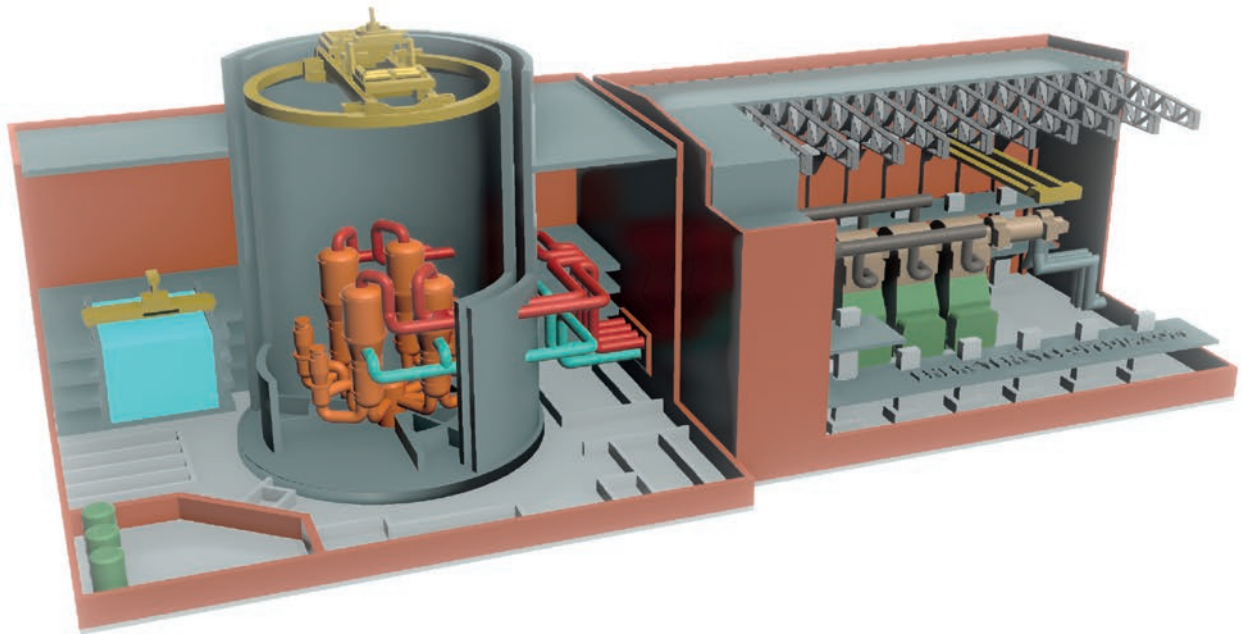
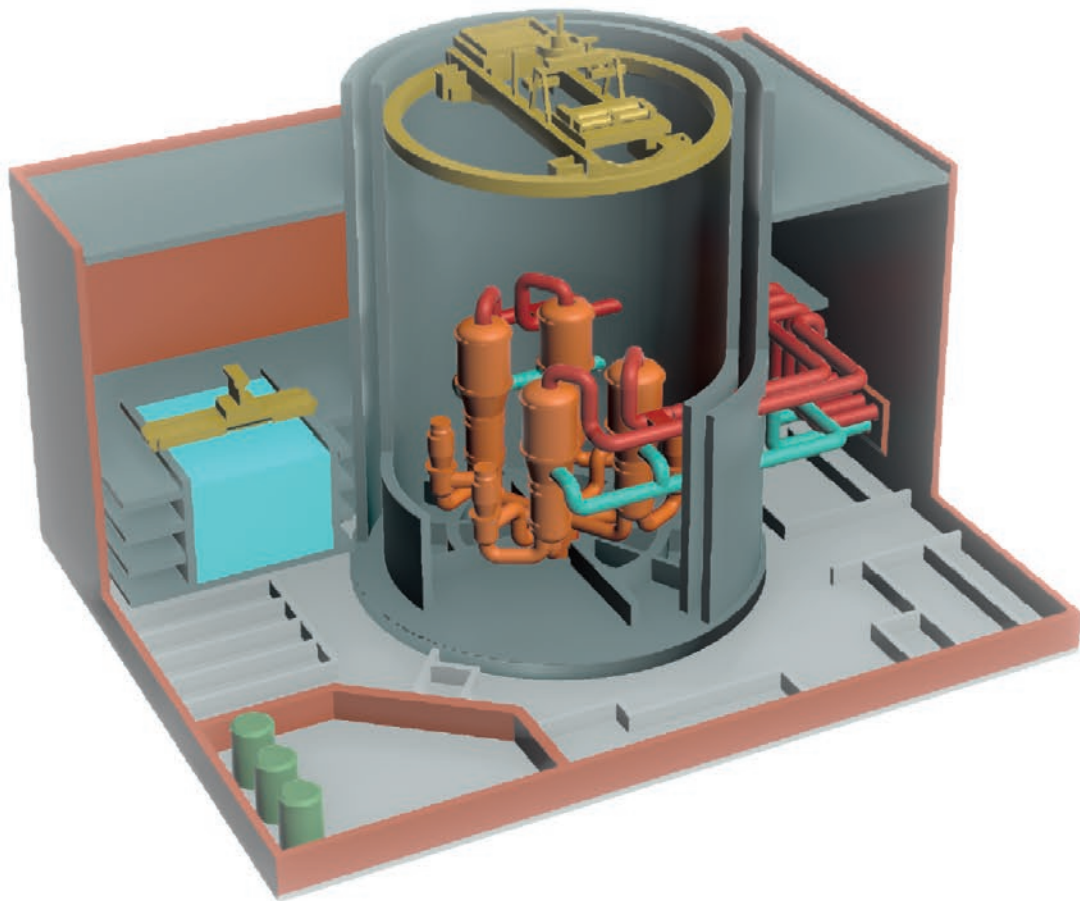


# NUCLEAR POWER PLANT



**ASSEMBLY INSTRUCTIONS**

# REACTOR BUILDING





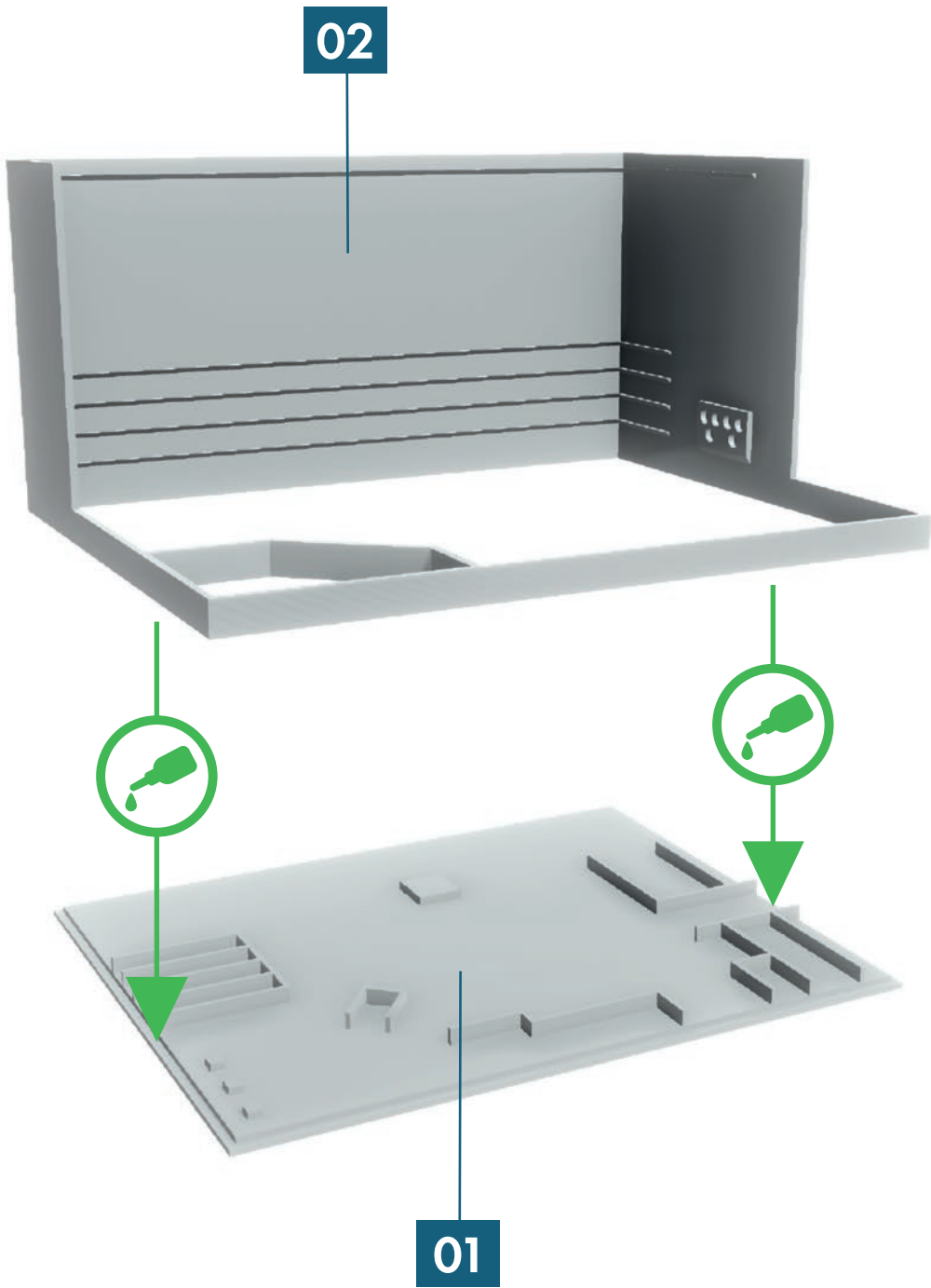
ENERGYENCYCLOPEDIA.COM

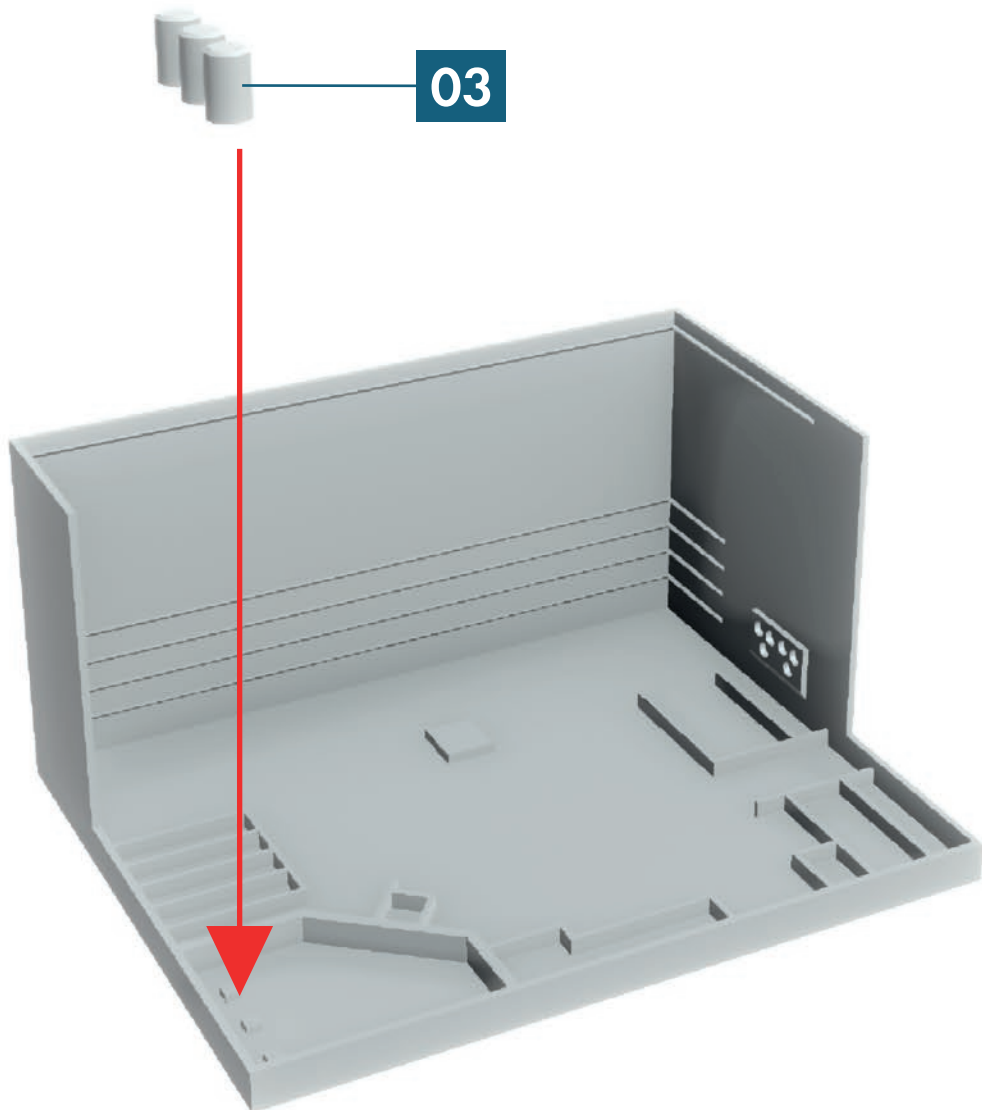
# INFO

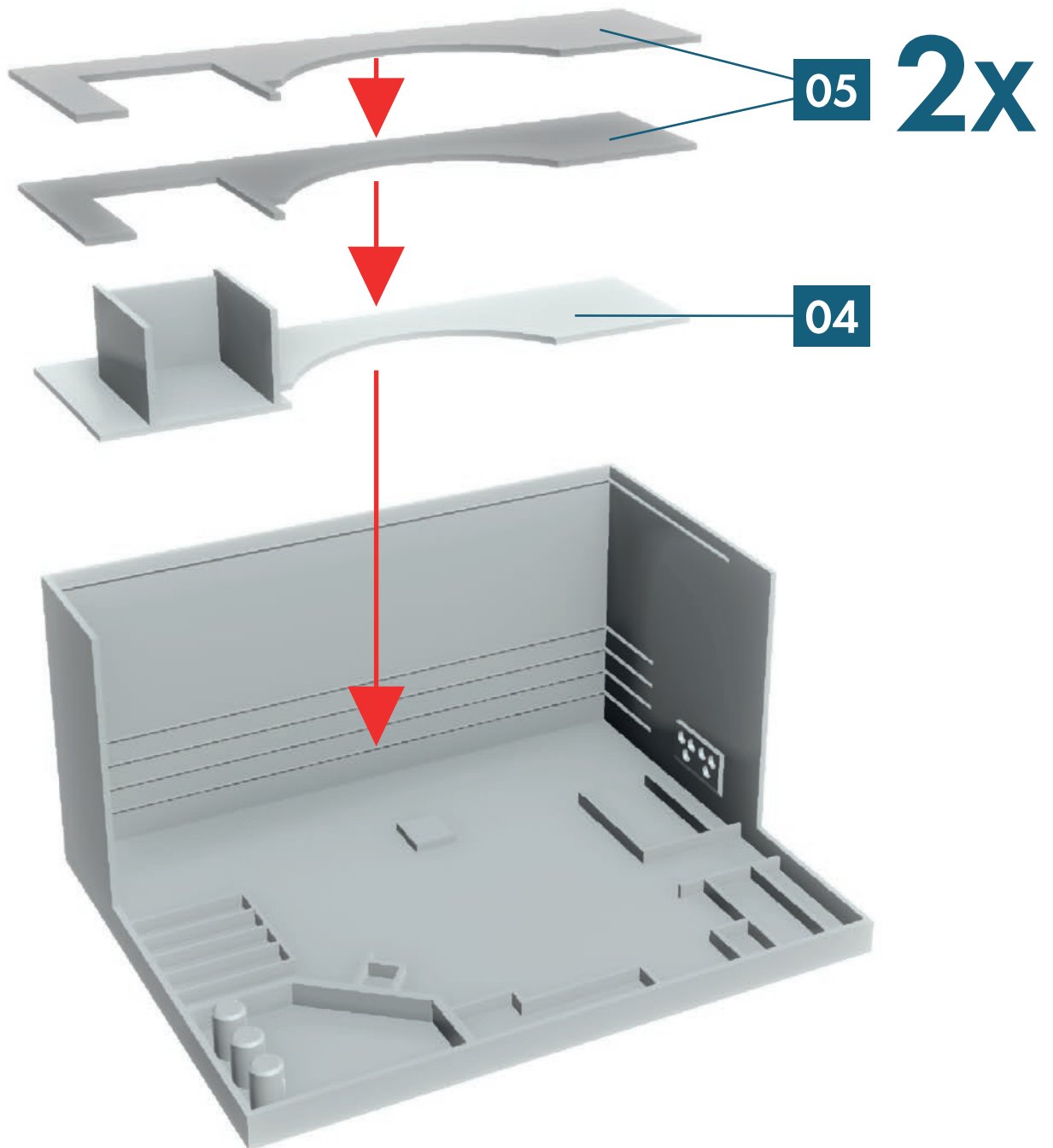
**THE MODEL CAN BE PUT TOGETHER WITHOUT GLUEING.**

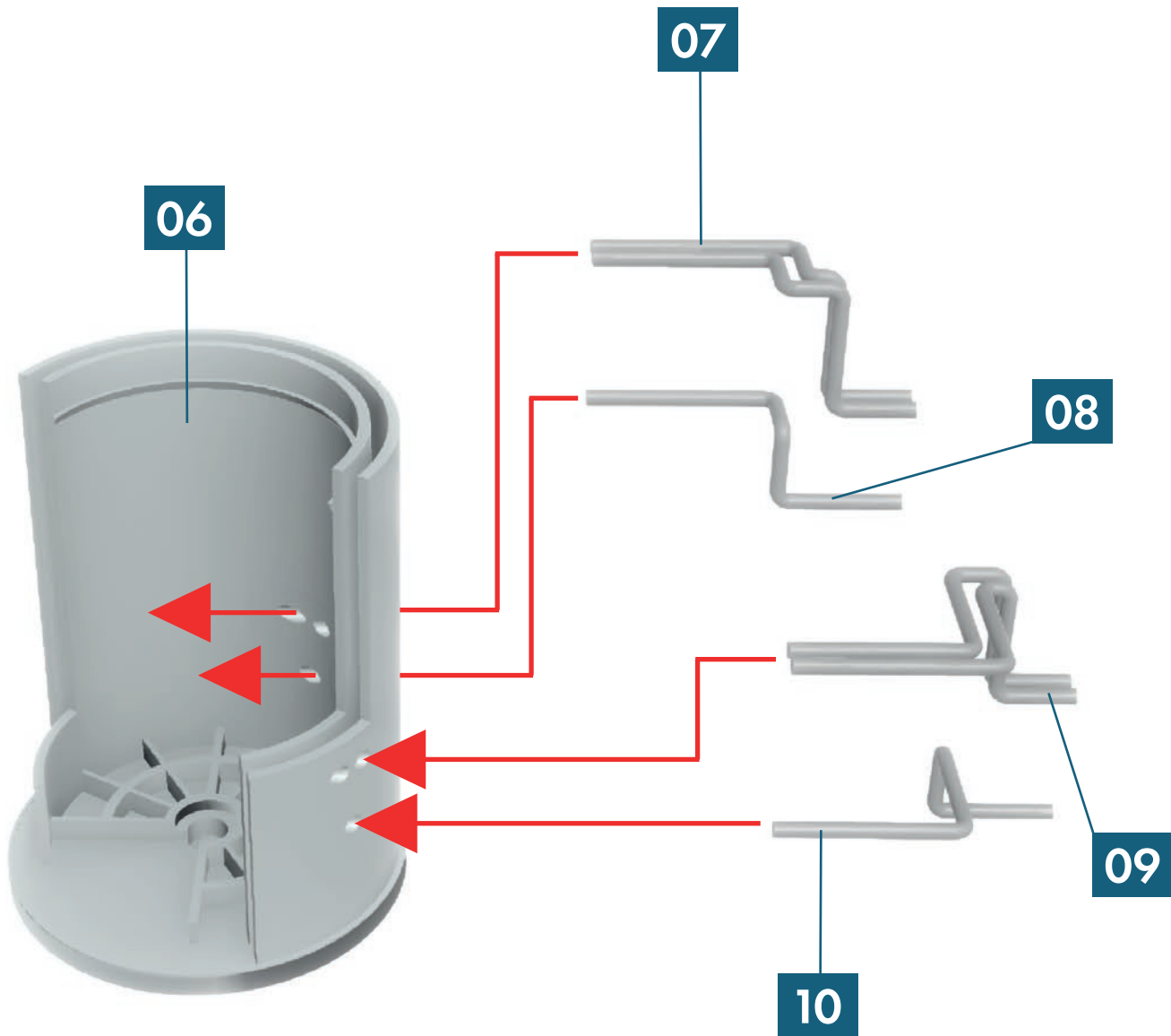
**IF GLUE IS NEEDED, IT WILL BE MARKED WITH A GLUE ICON AND A GREEN ARROW.**

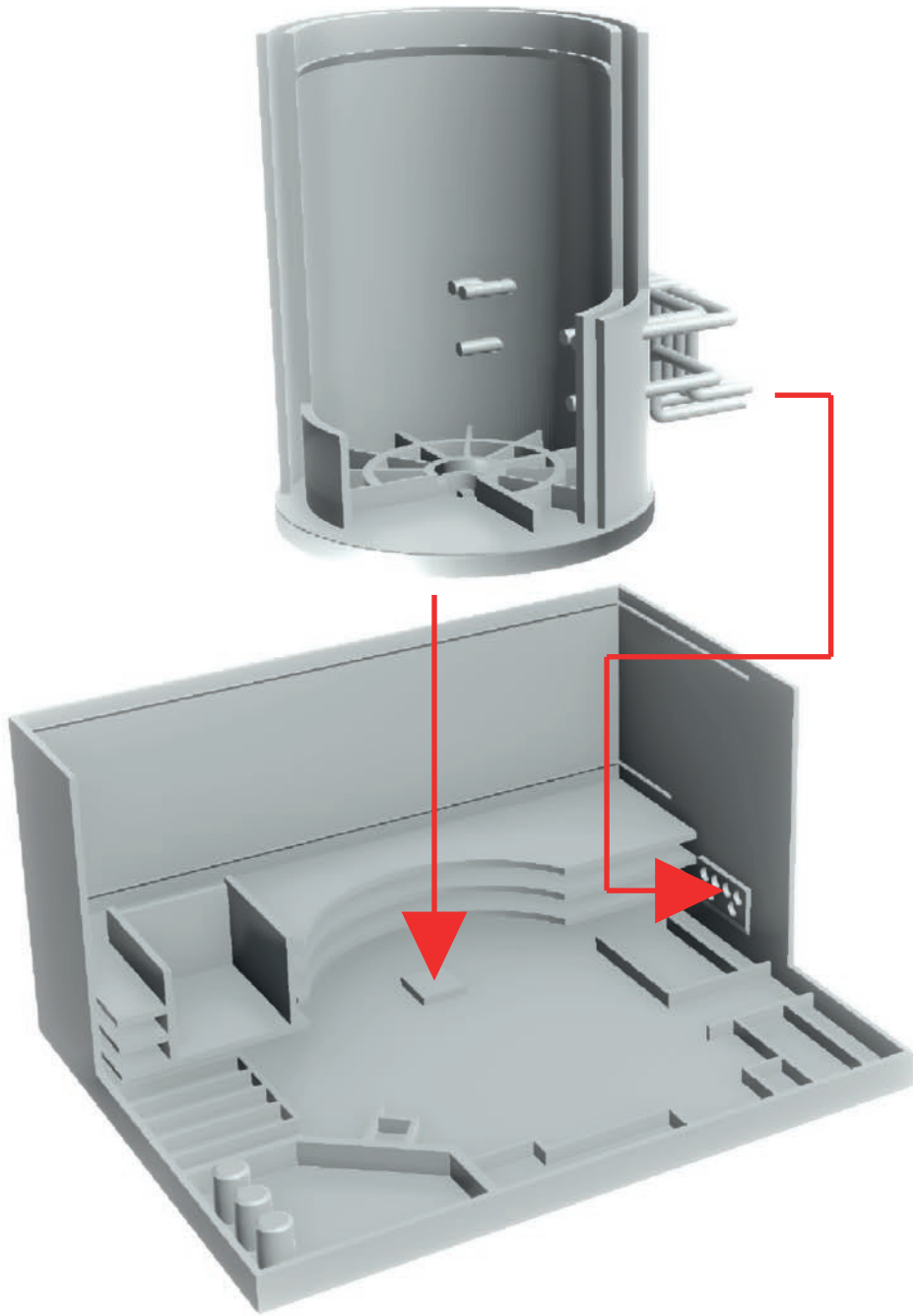










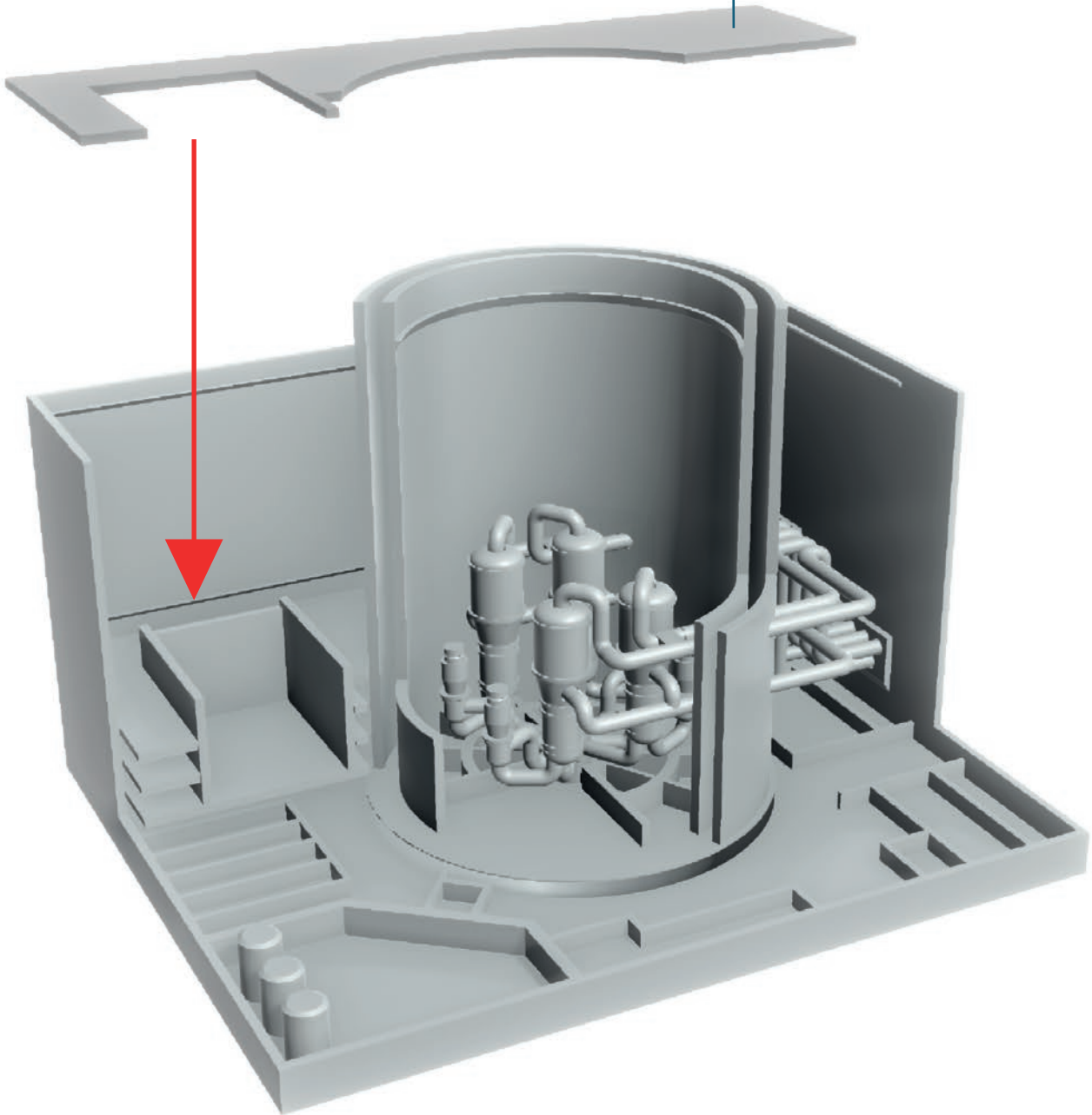


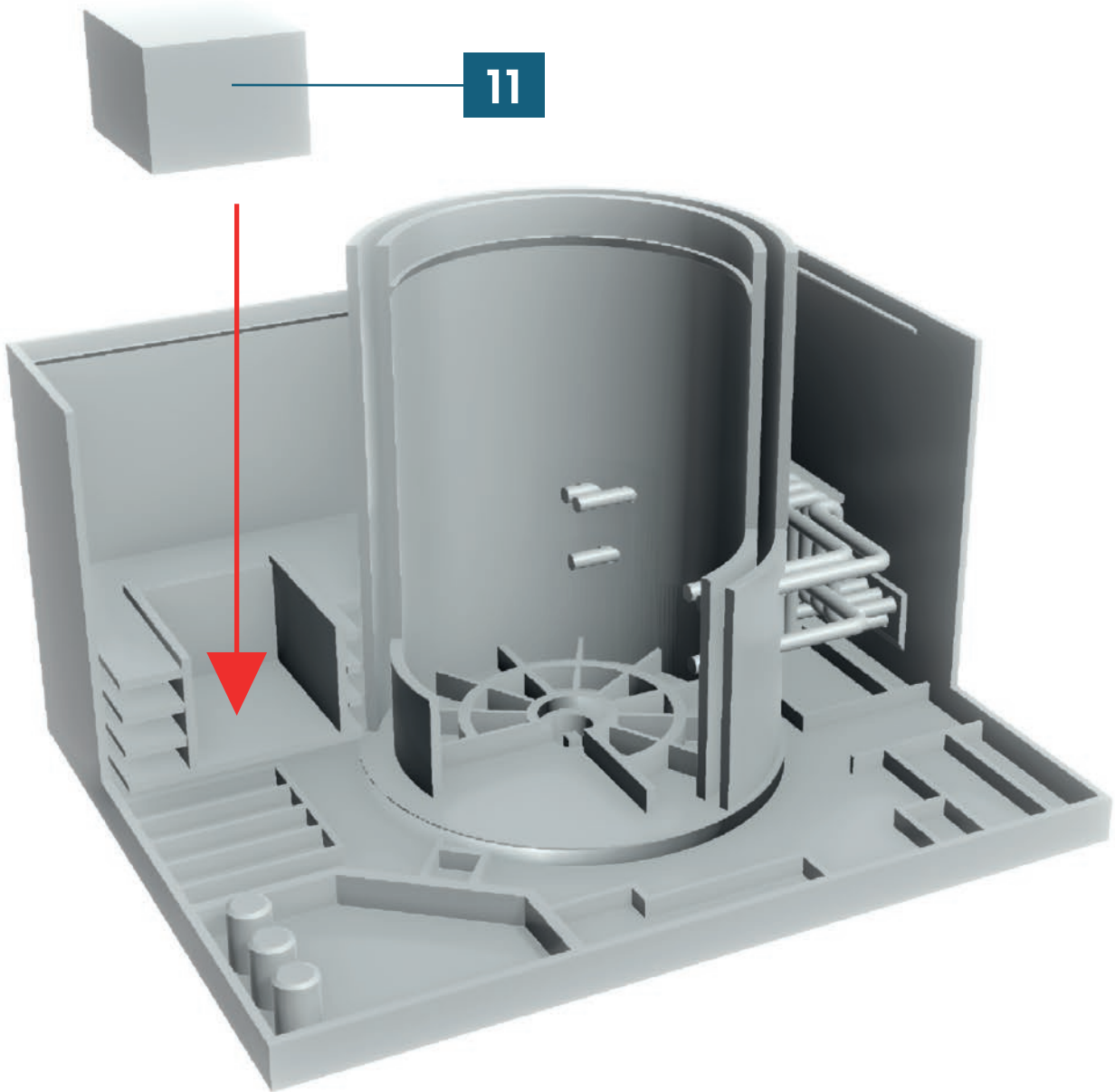


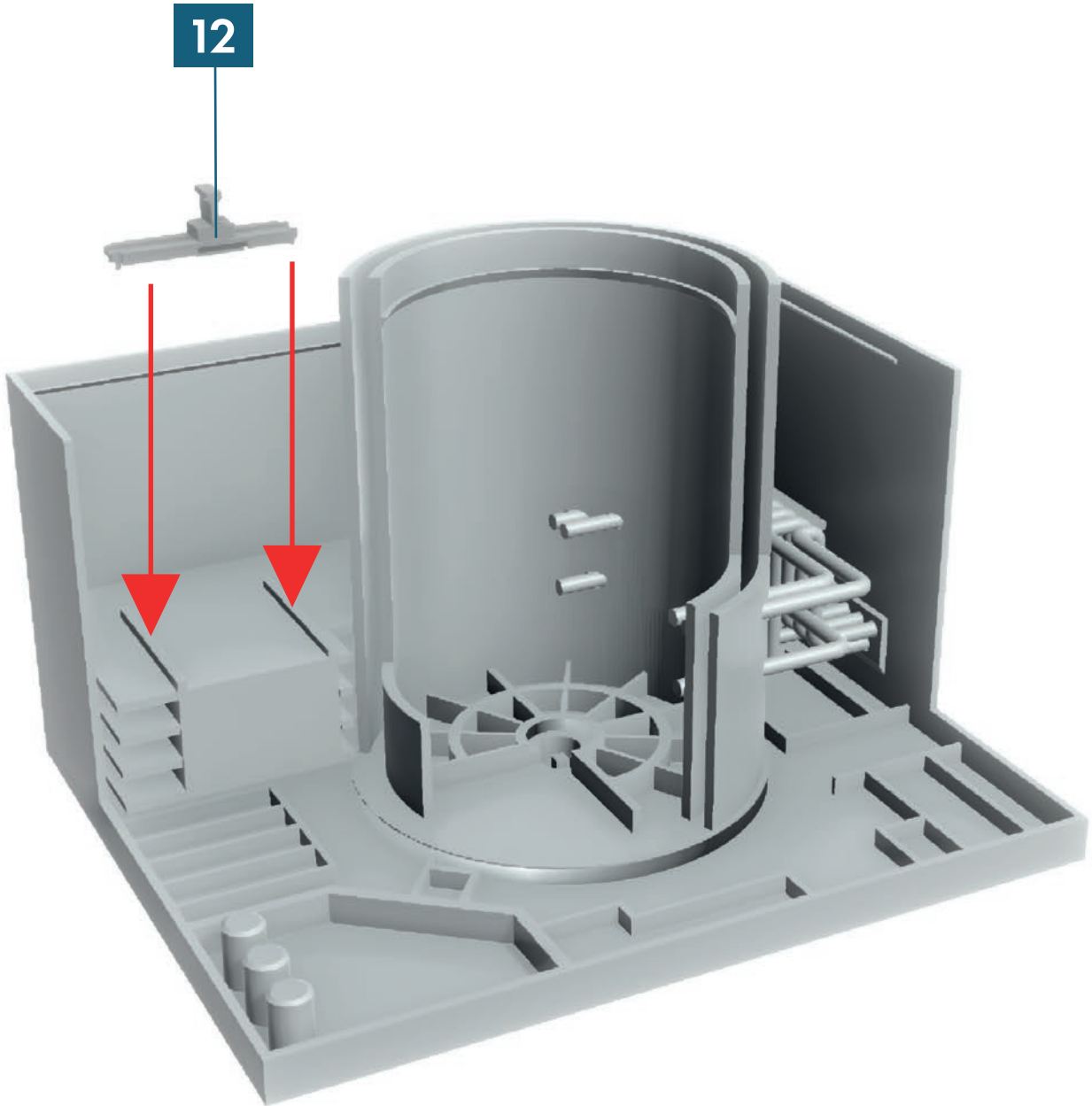


ENERGYENCYCLOPEDIA.COM

05

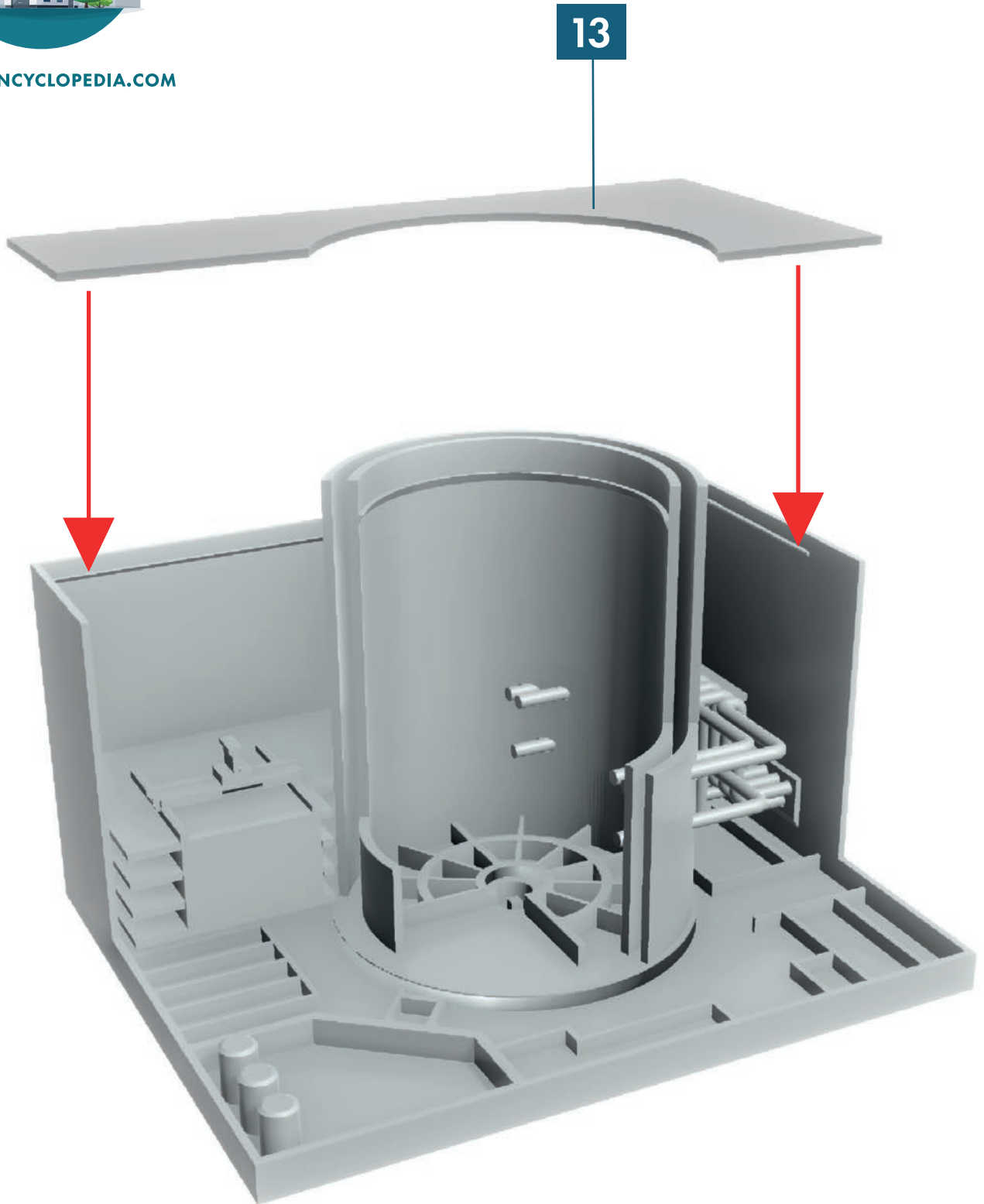






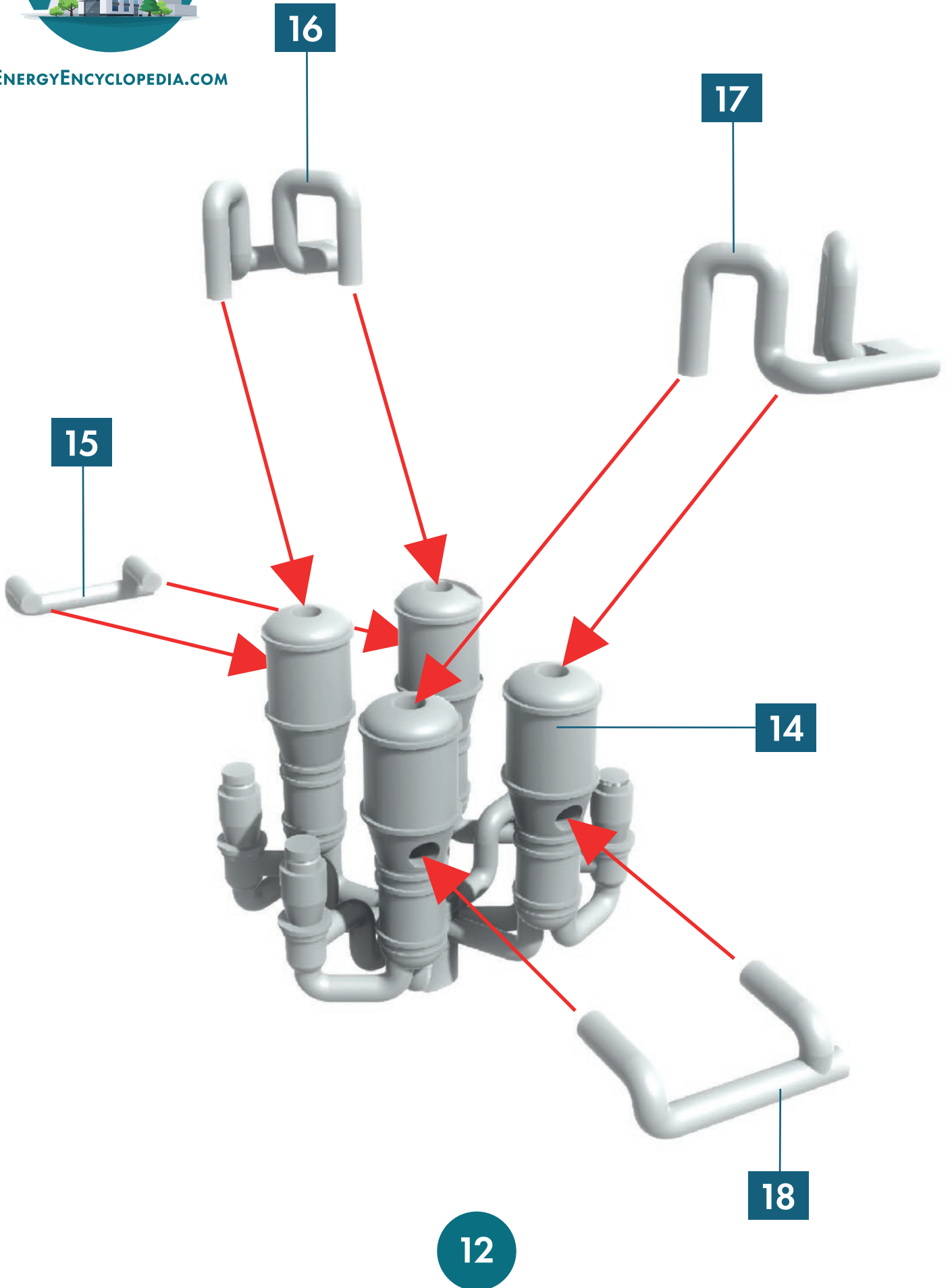


ENERGYENCYCLOPEDIA.COM



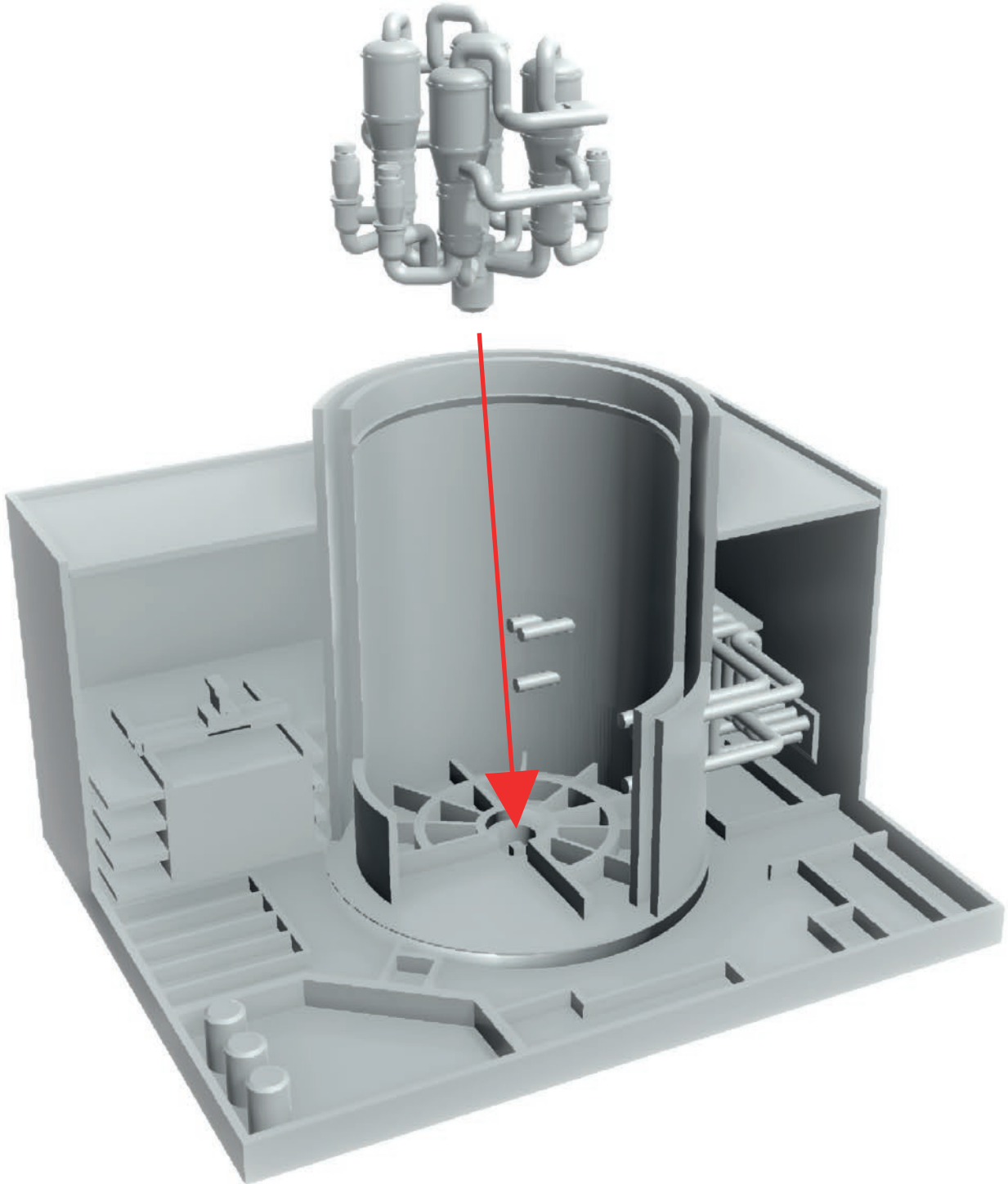


ENERGYENCYCLOPEDIA.COM





En

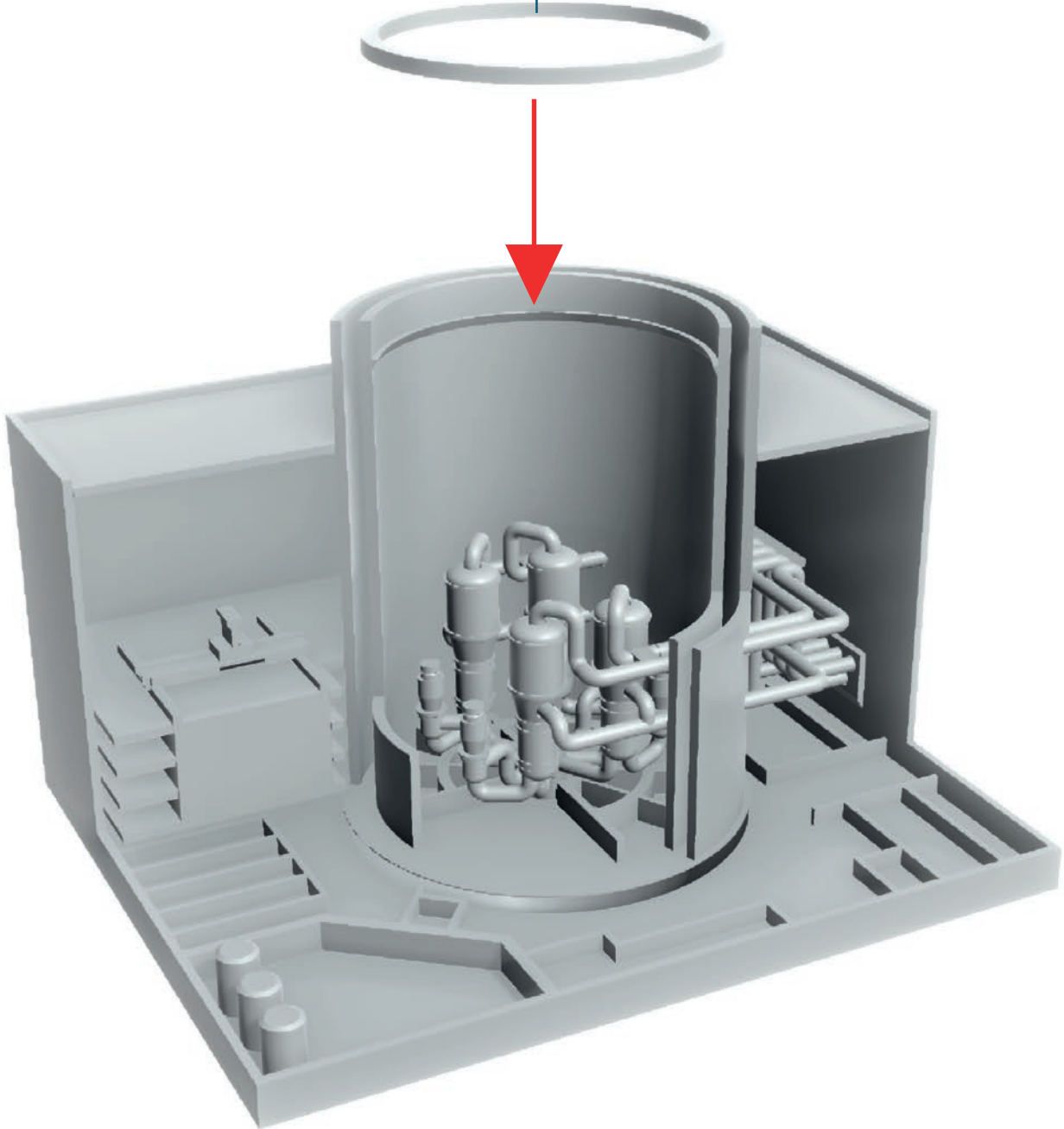






En

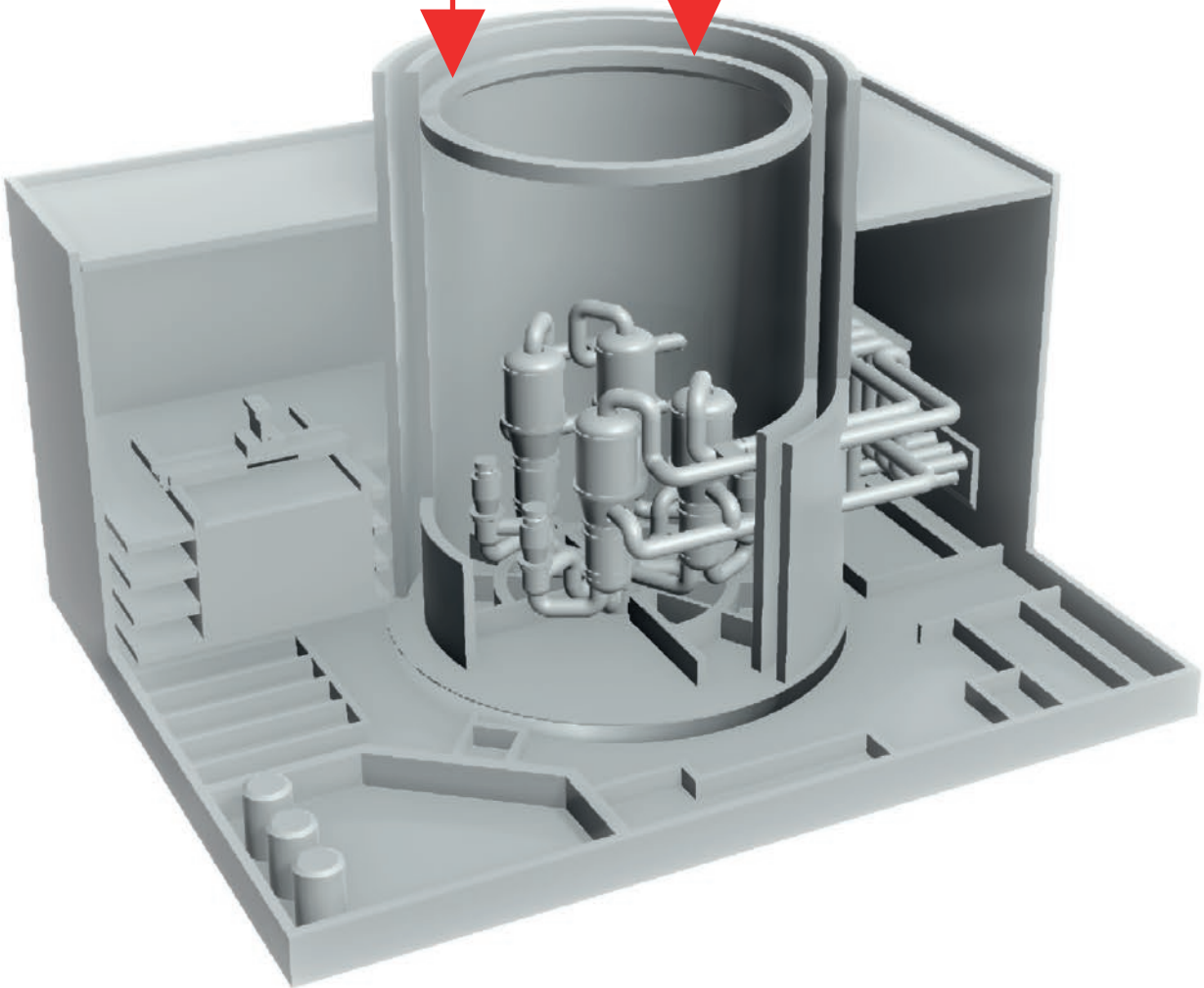
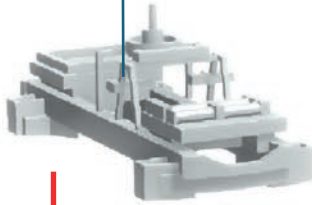
19





ENERGYENCYCLOPEDIA.COM

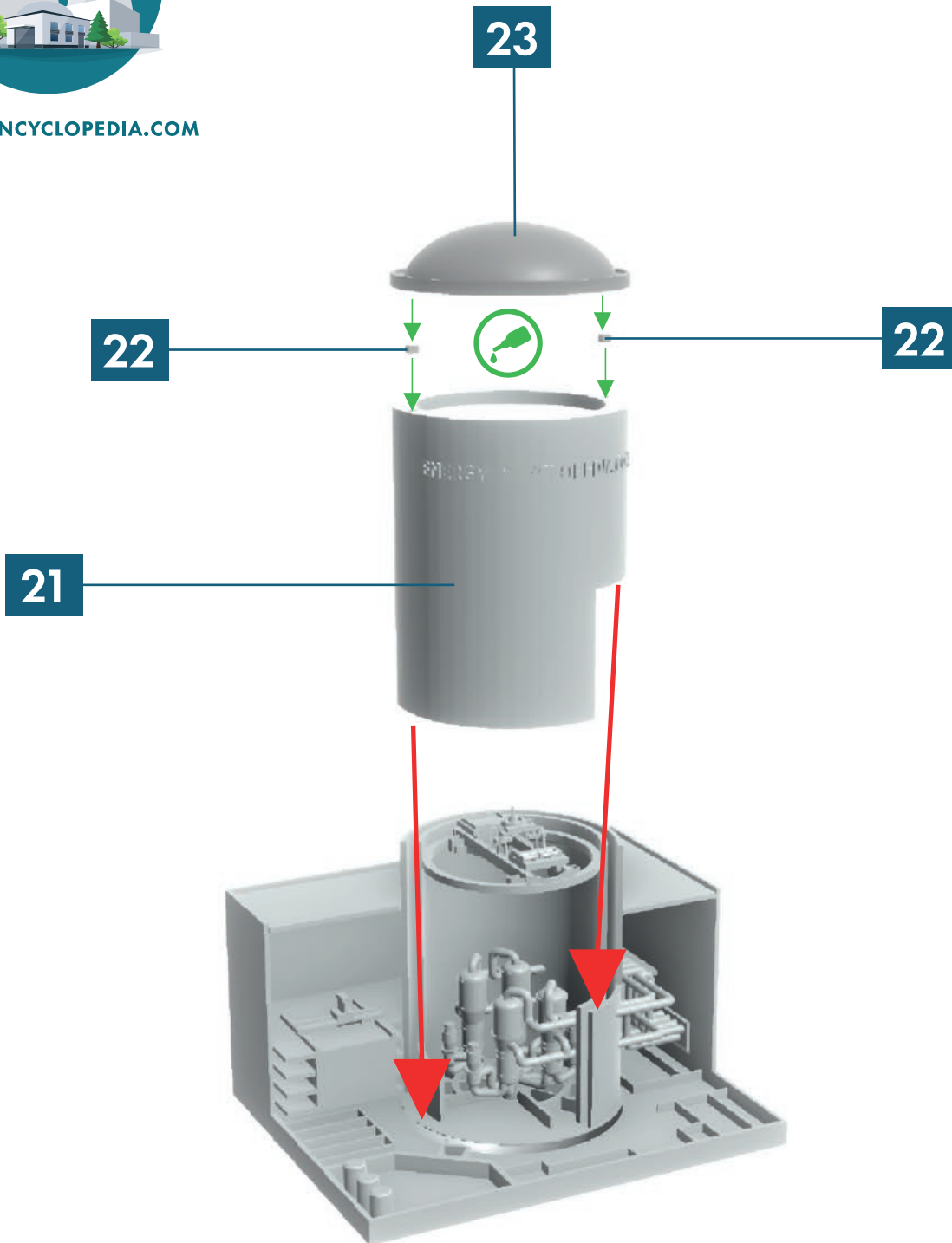
20







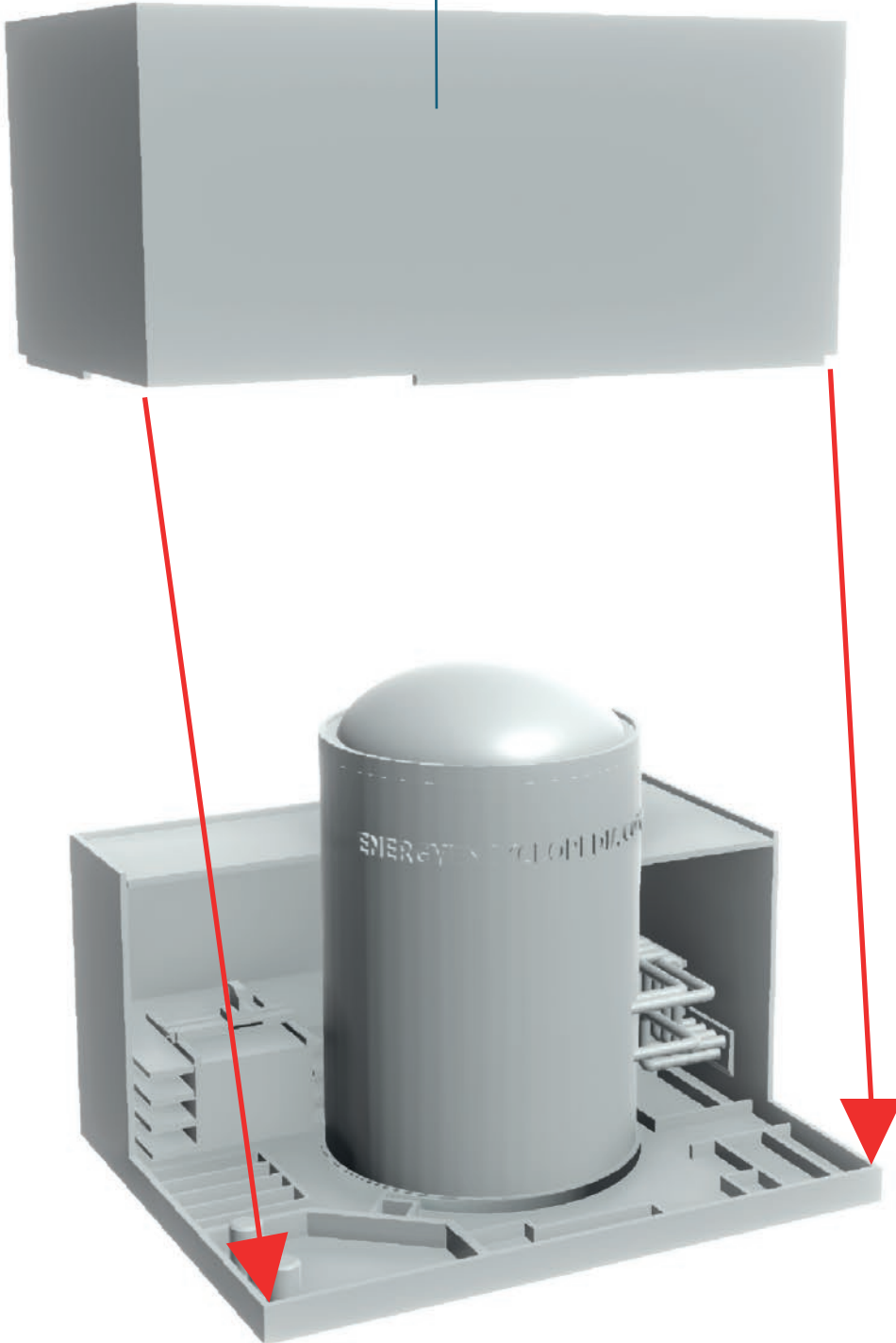
ENERGYENCYCLOPEDIA.COM

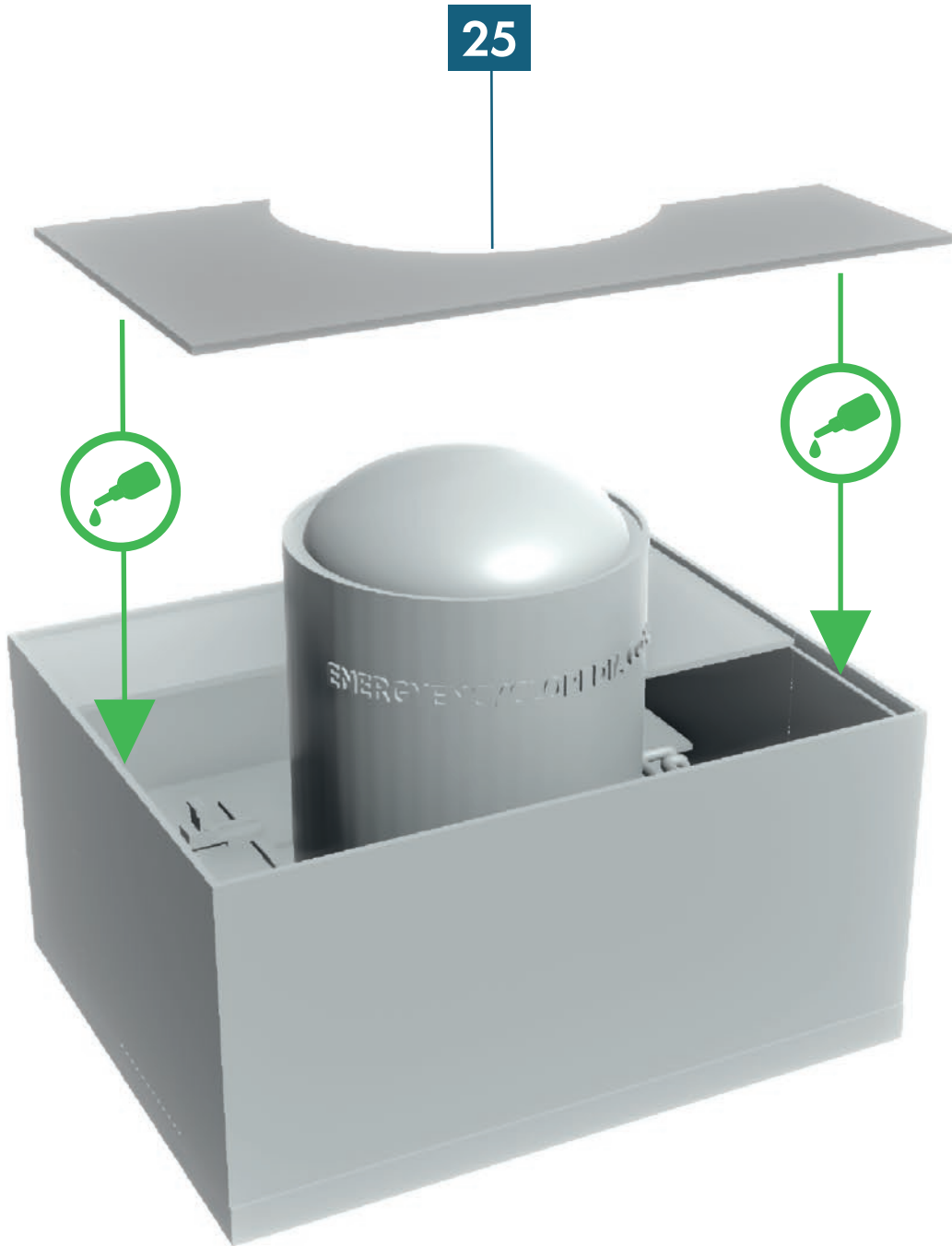




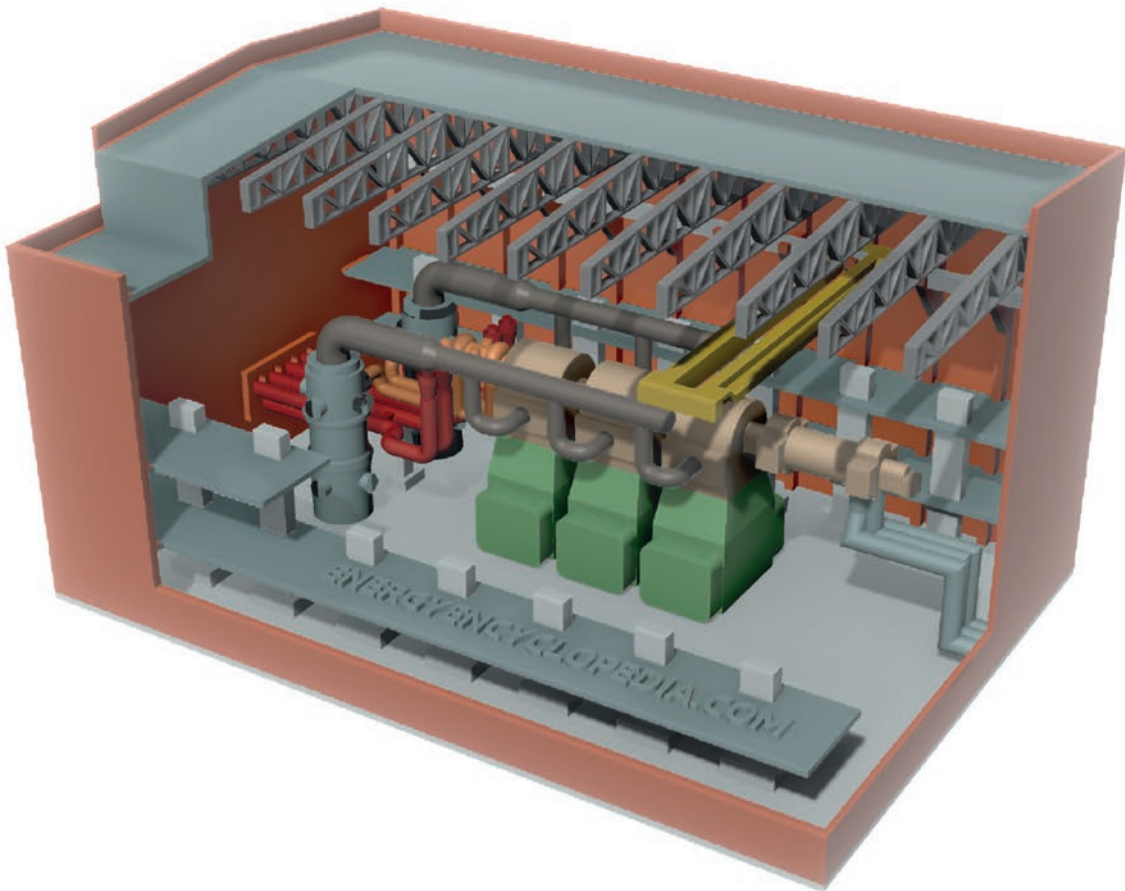
ENERGYENCYCLOPEDIA.COM

24





# TURBINE HALL





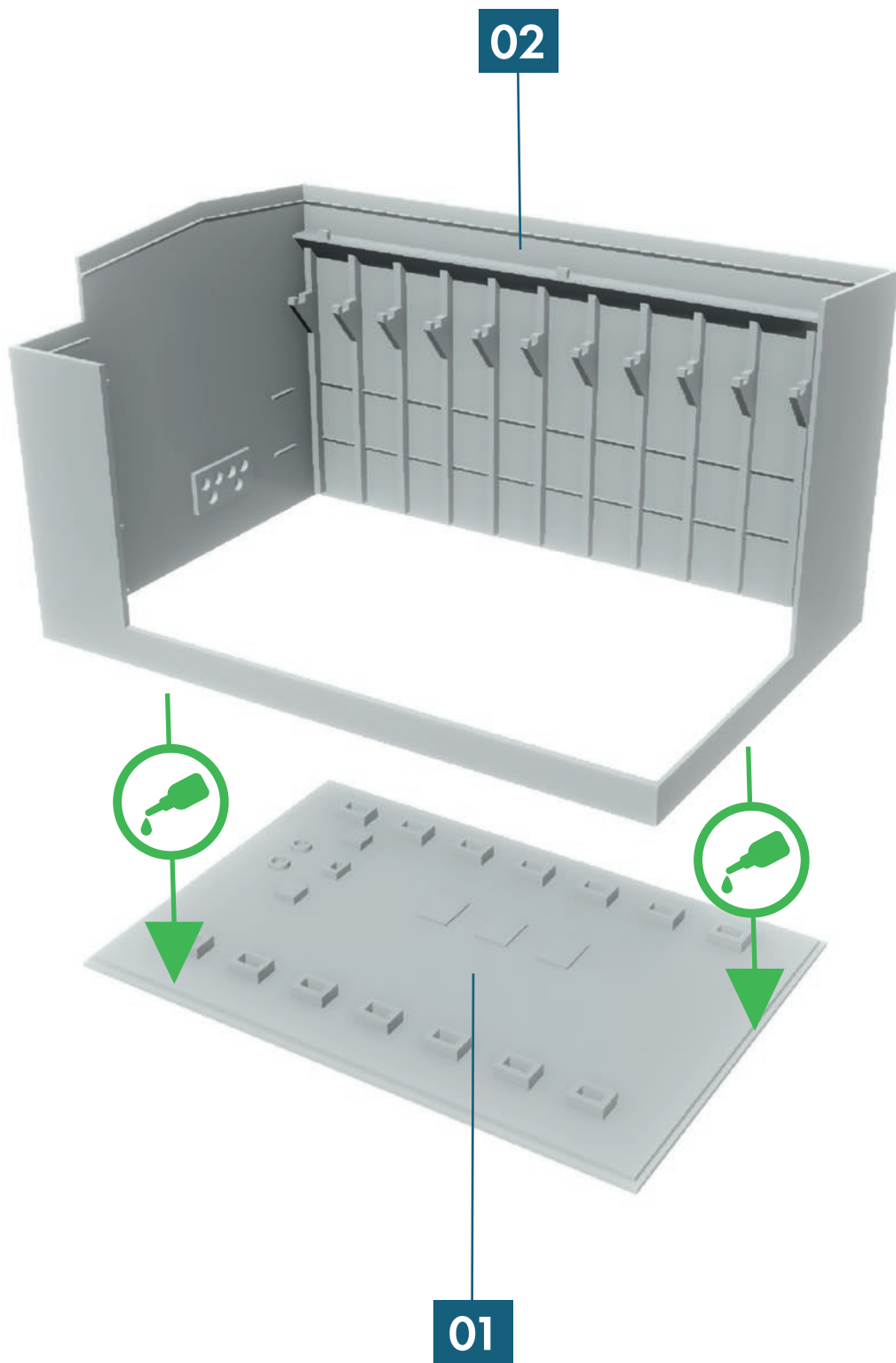
ENERGYENCYCLOPEDIA.COM

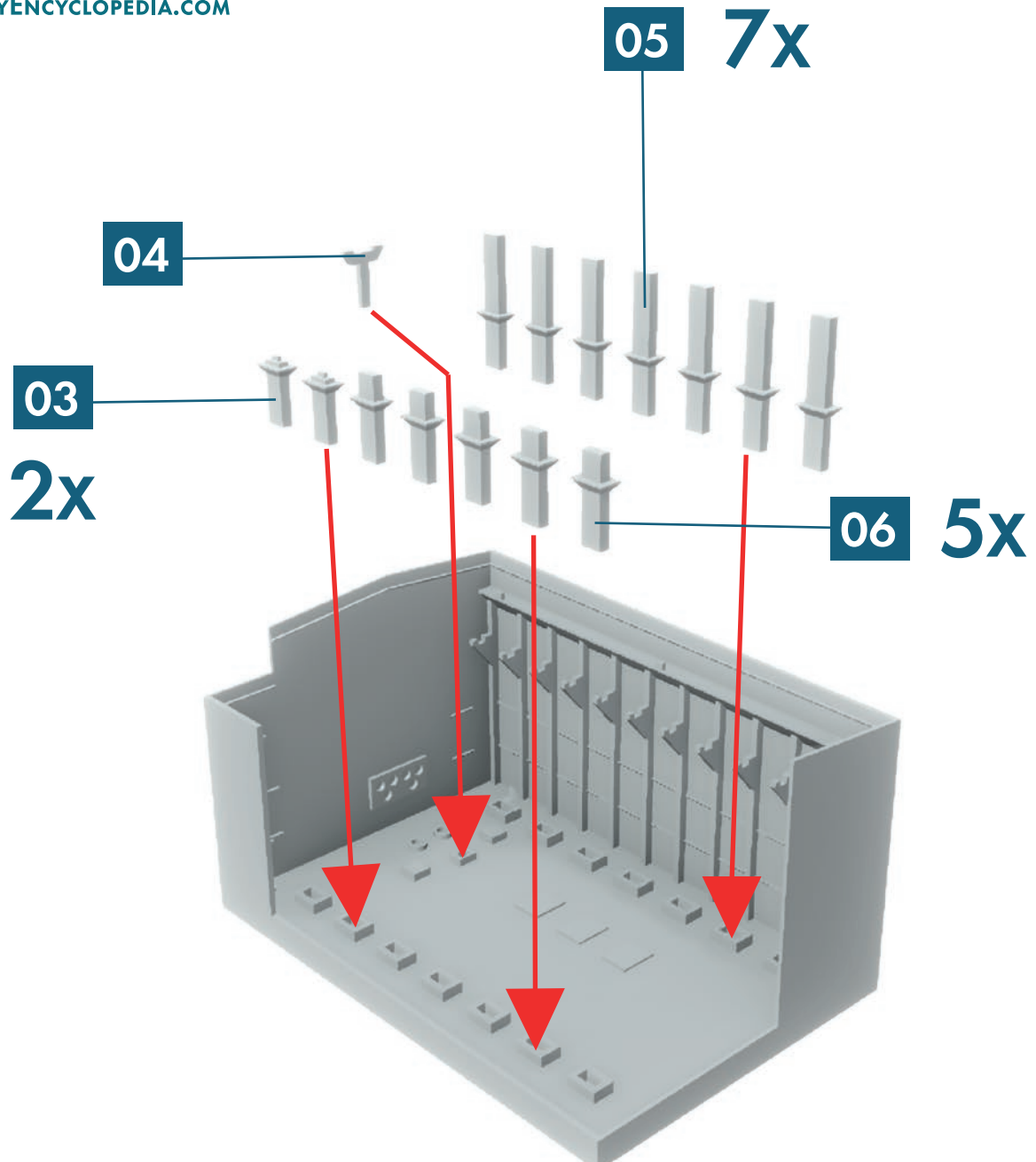
# INFO

**THE MODEL CAN BE PUT TOGETHER WITHOUT GLUEING.**

**IF GLUE IS NEEDED, IT WILL BE MARKED WITH A GLUE ICON AND A GREEN ARROW.**



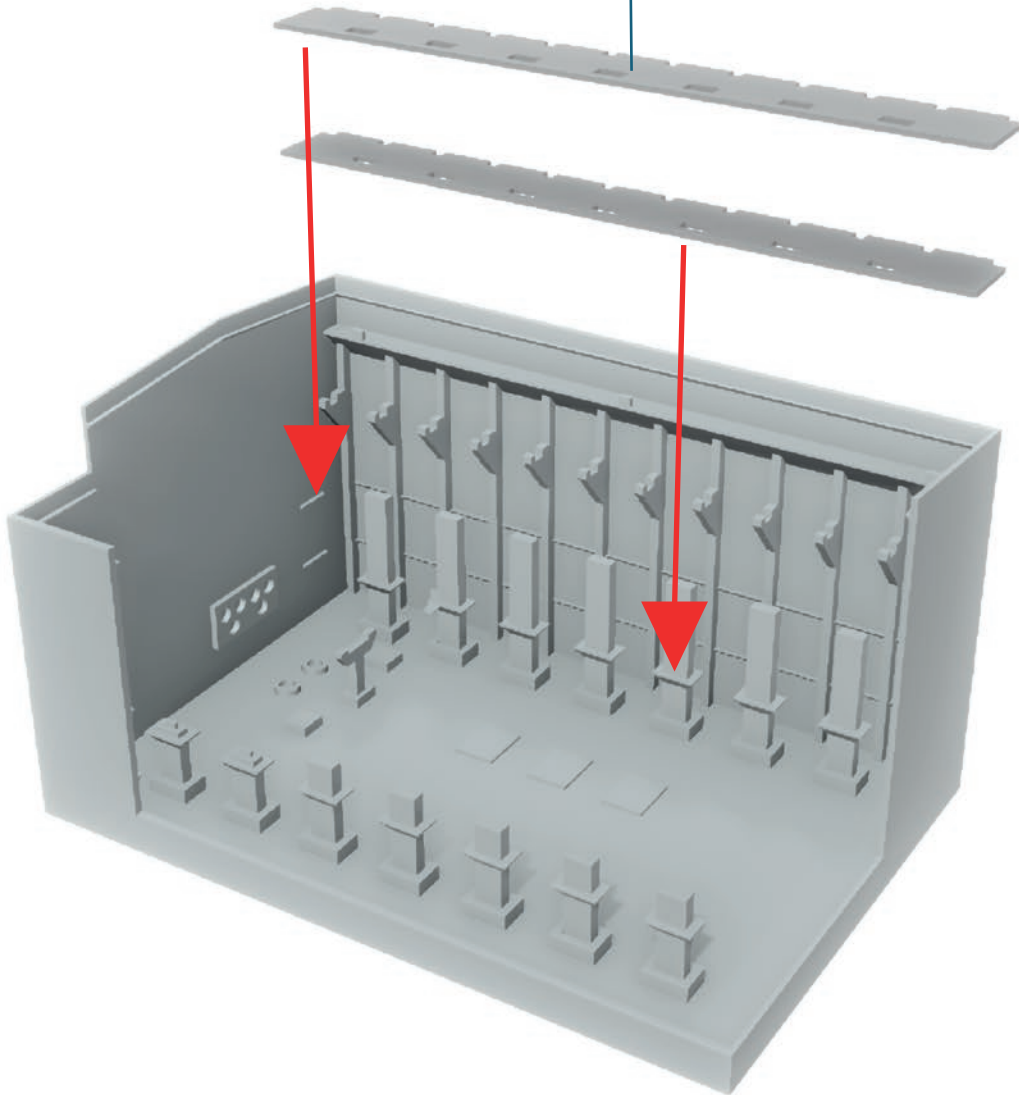






ENERGYENCYCLOPEDIA.COM

07 2x

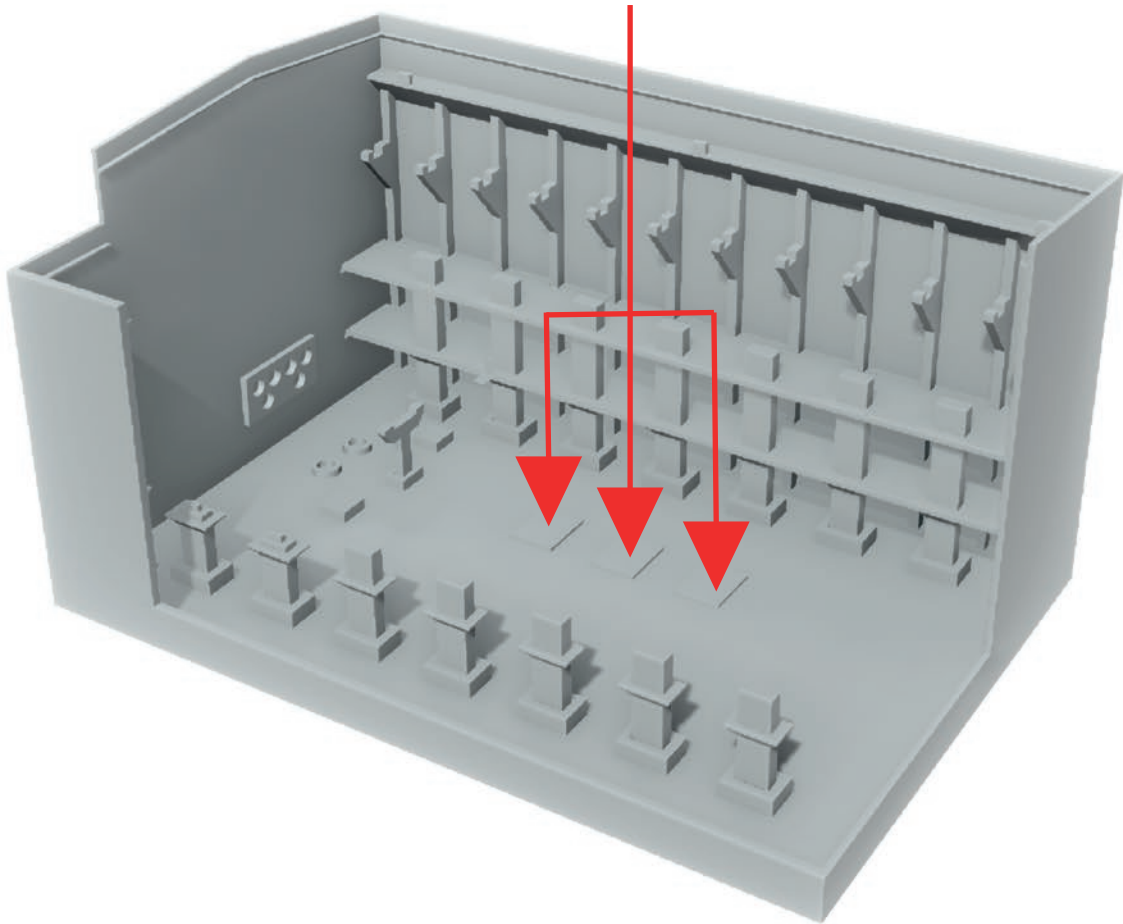






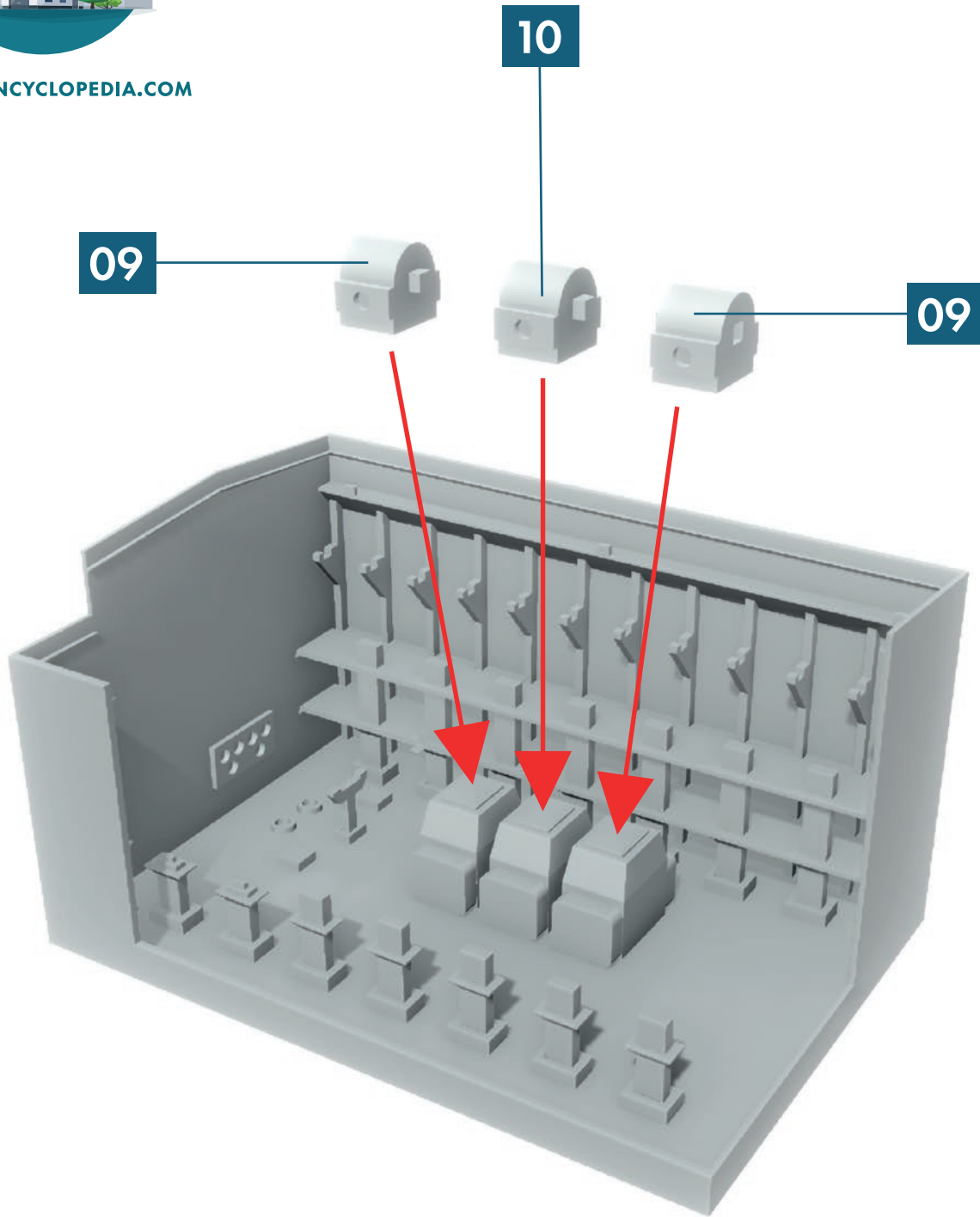
ENERGYENCYCLOPEDIA.COM

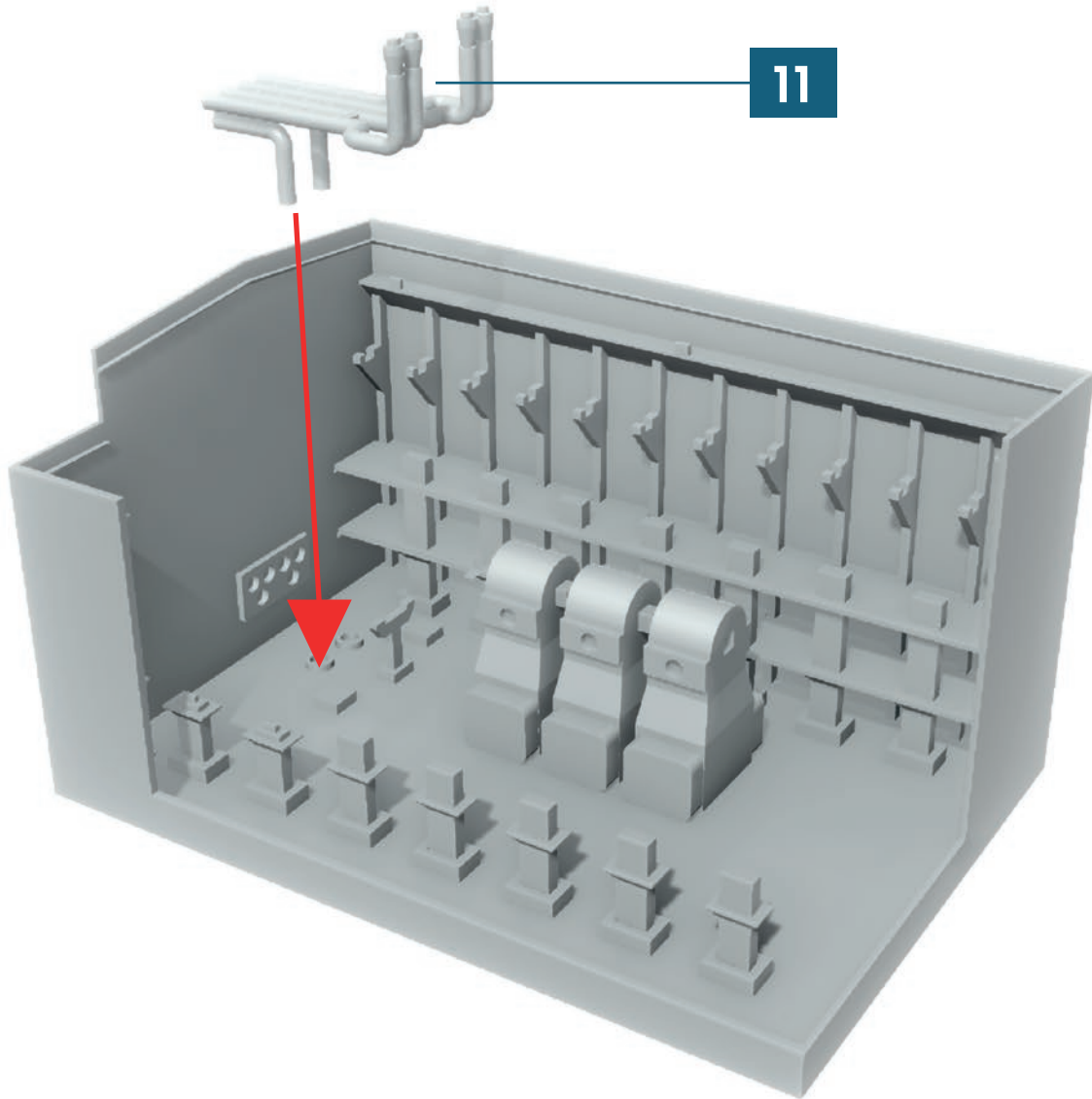
08 3x

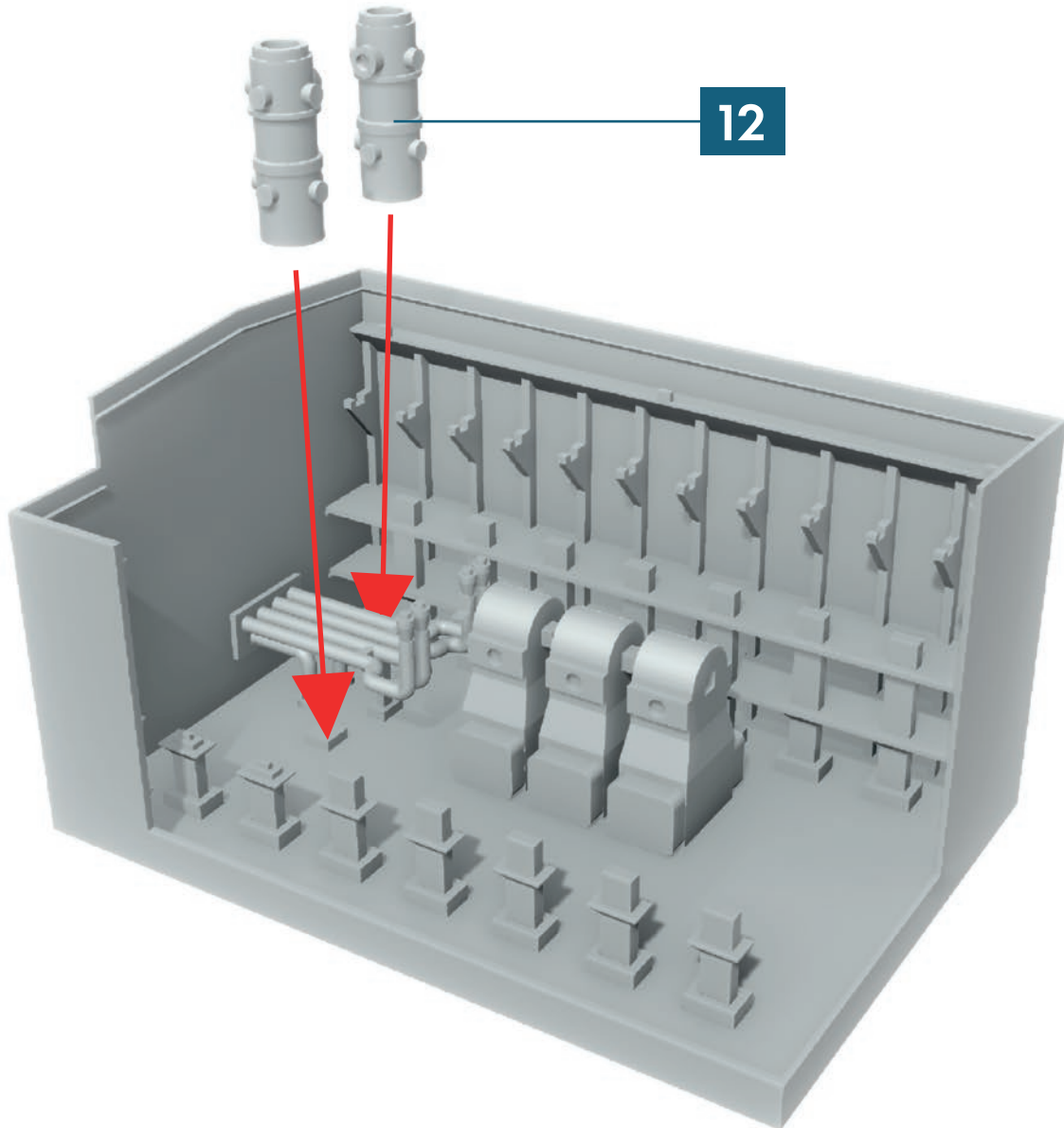


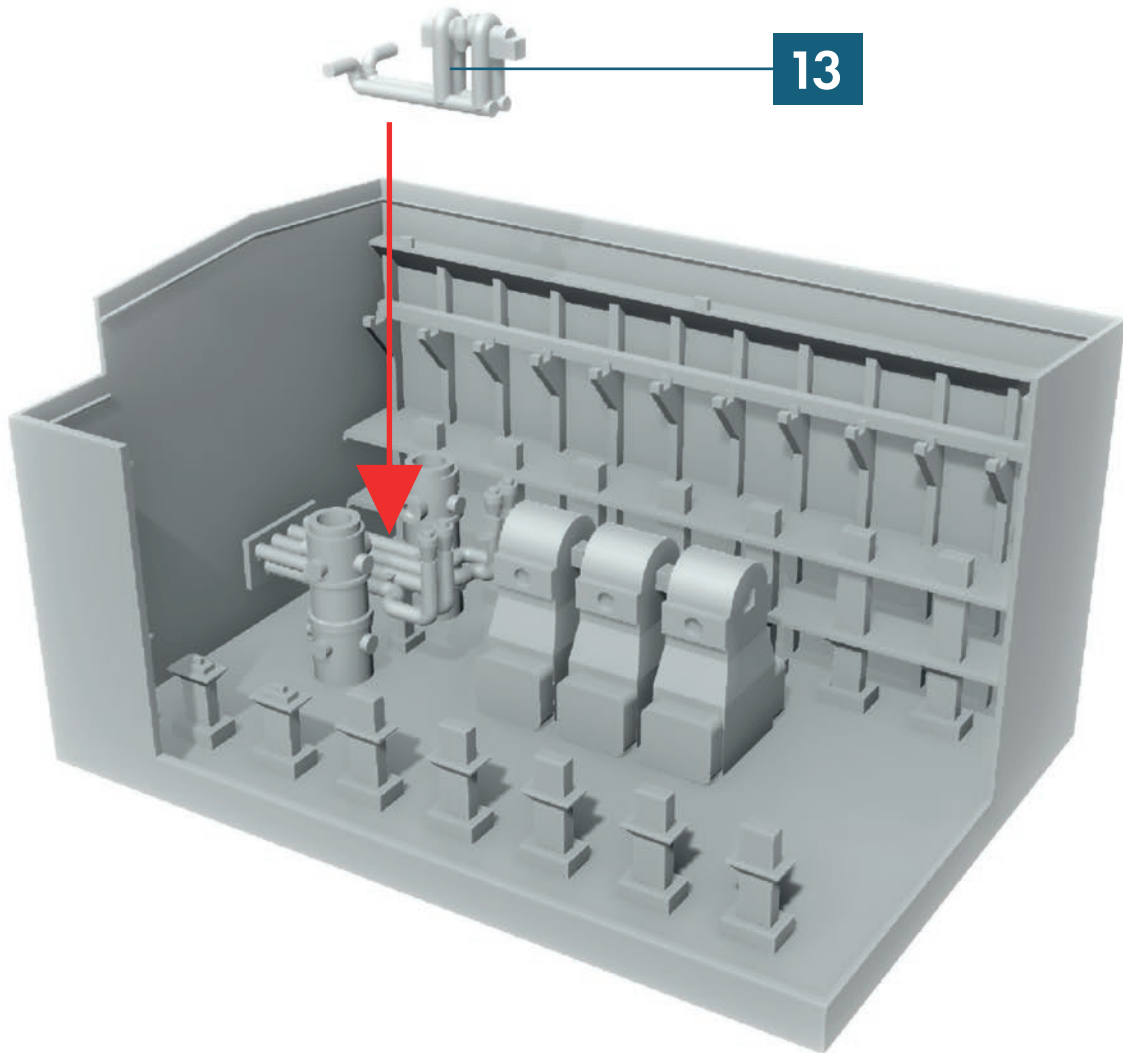


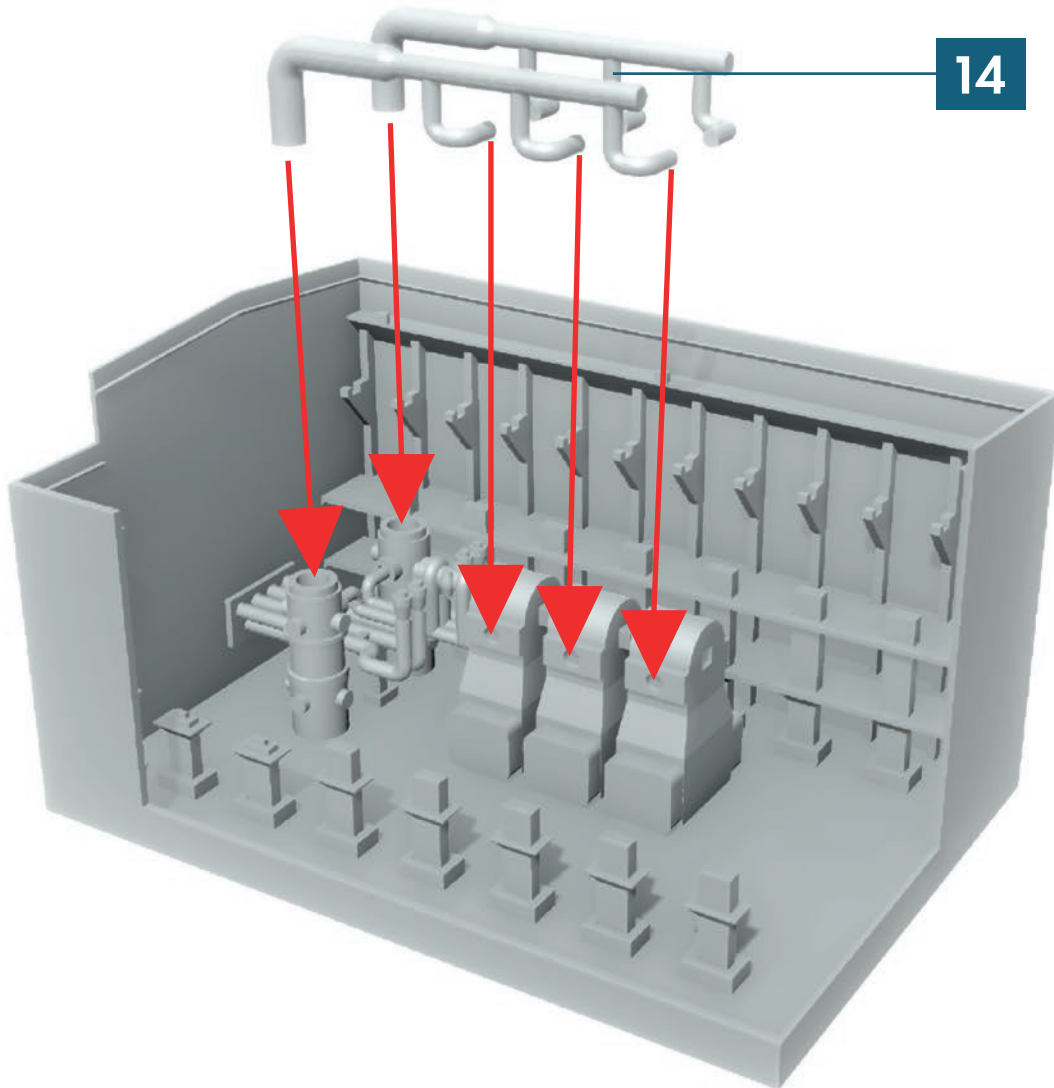
ENERGYENCYCLOPEDIA.COM



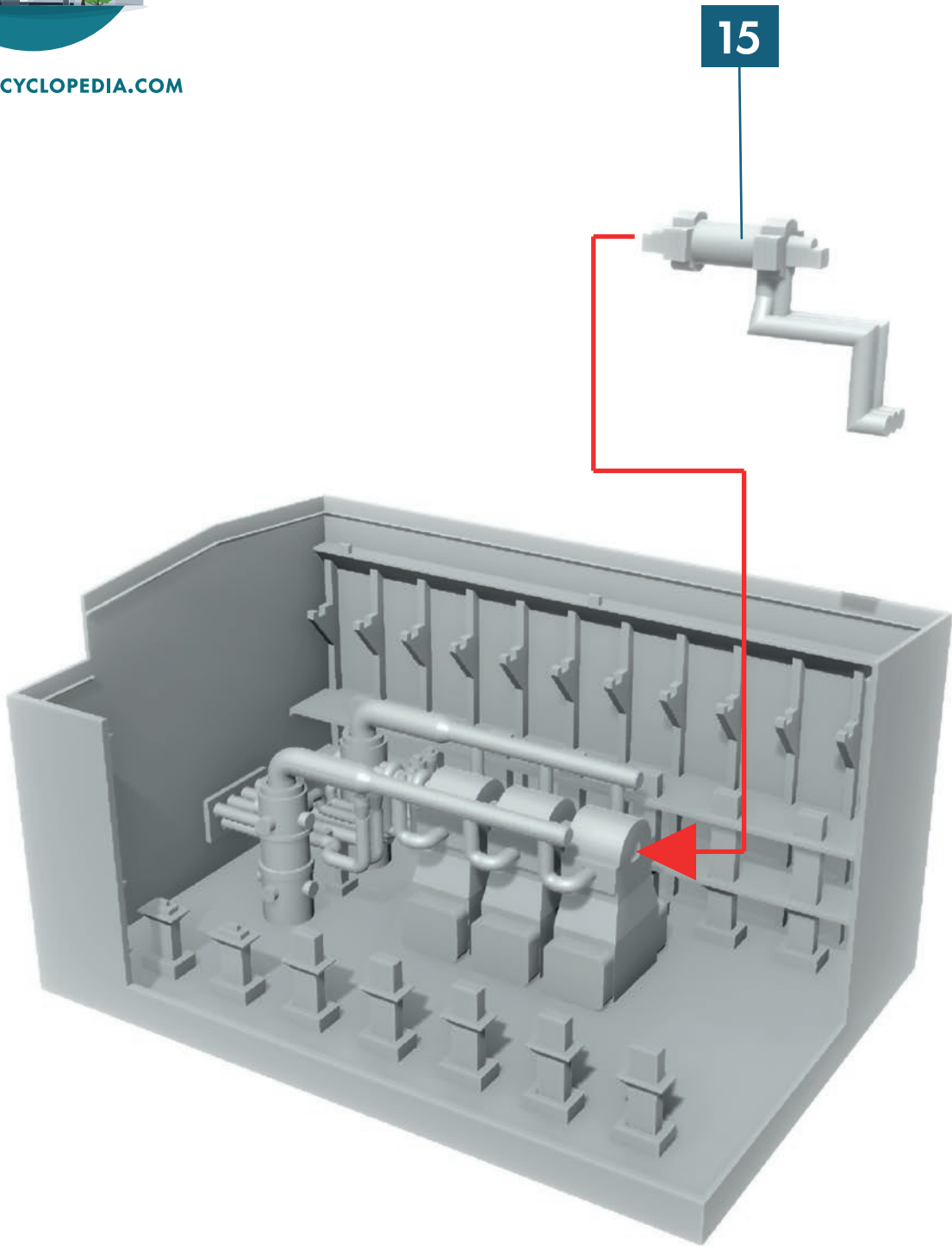






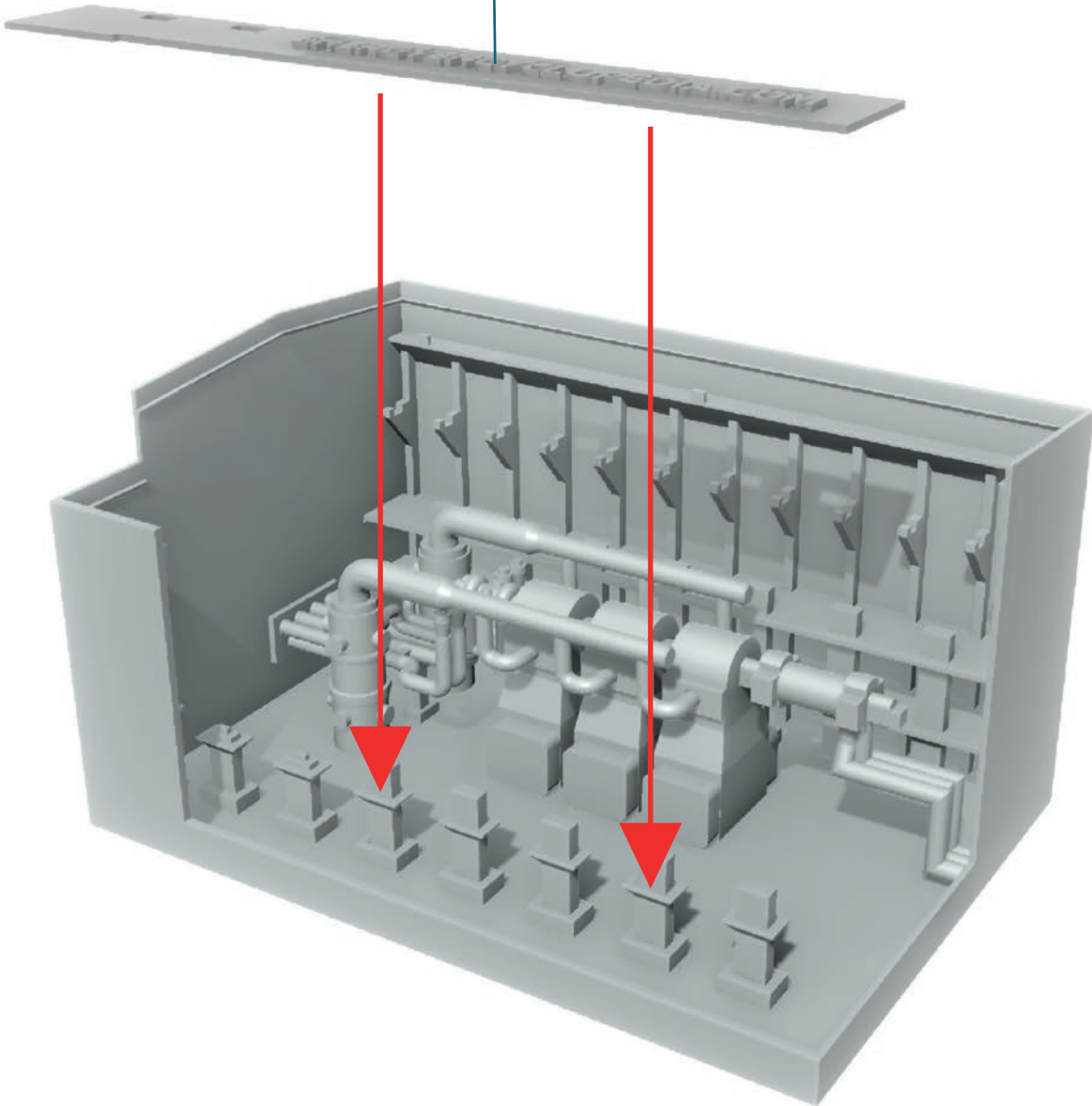




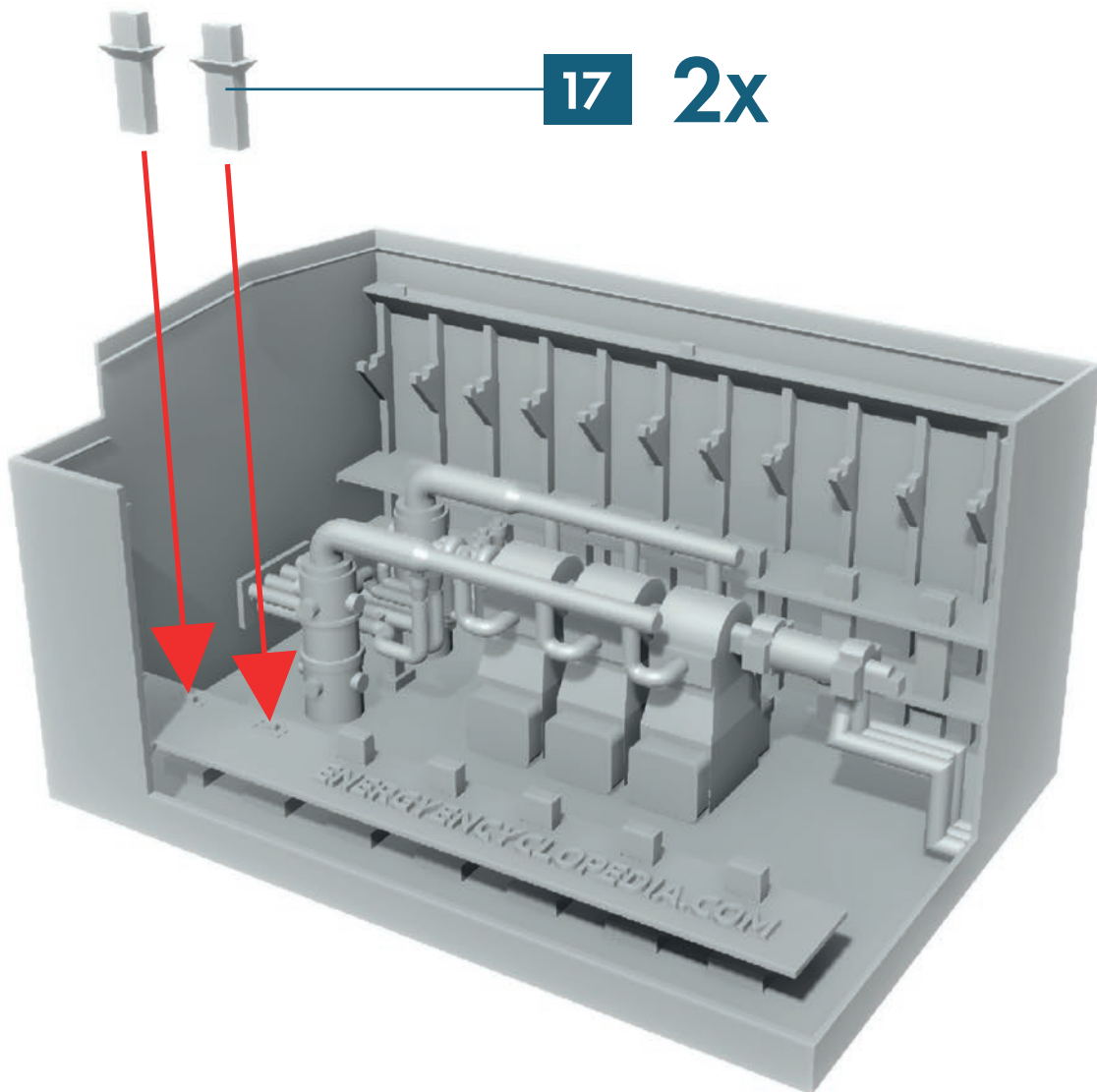


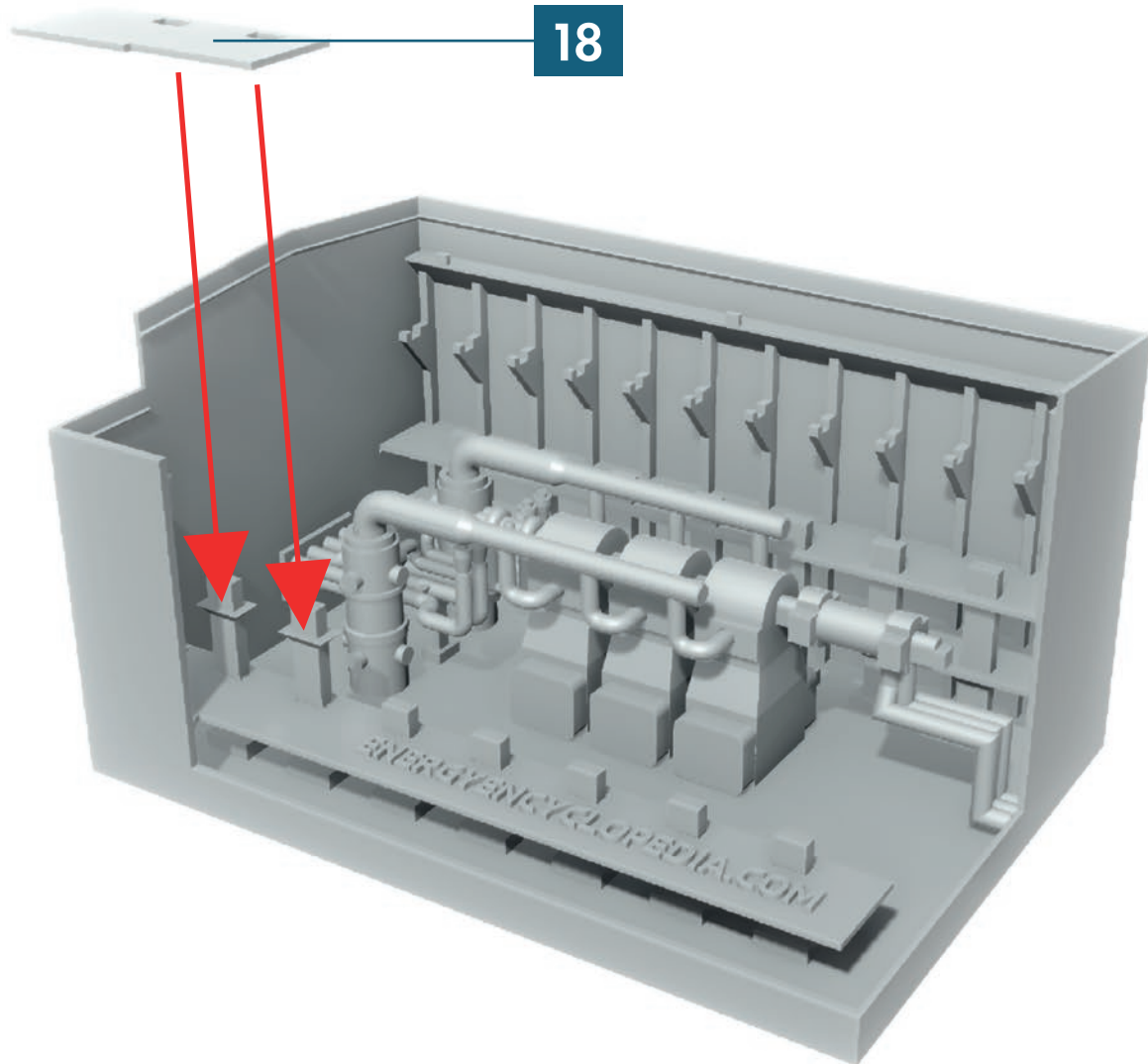


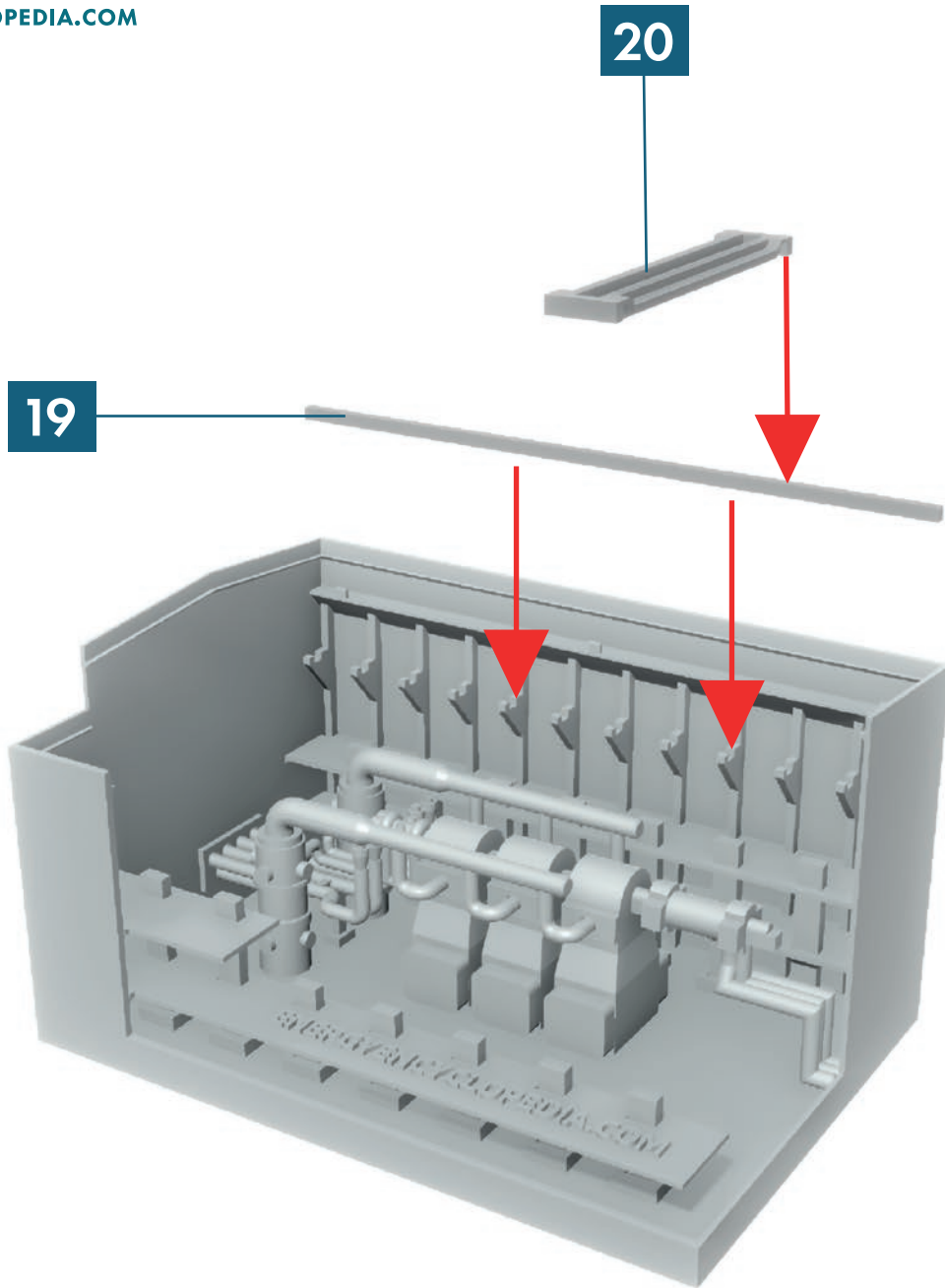
16





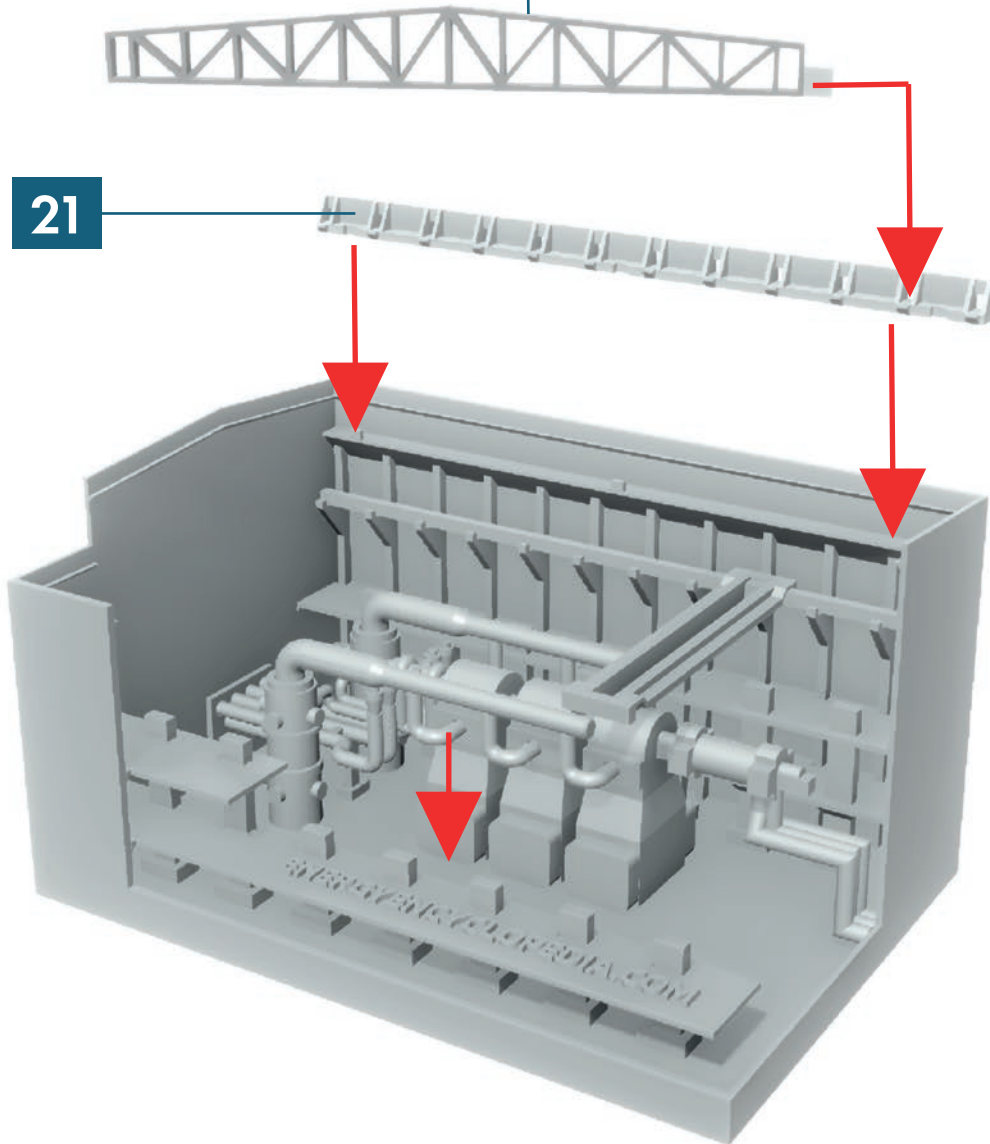








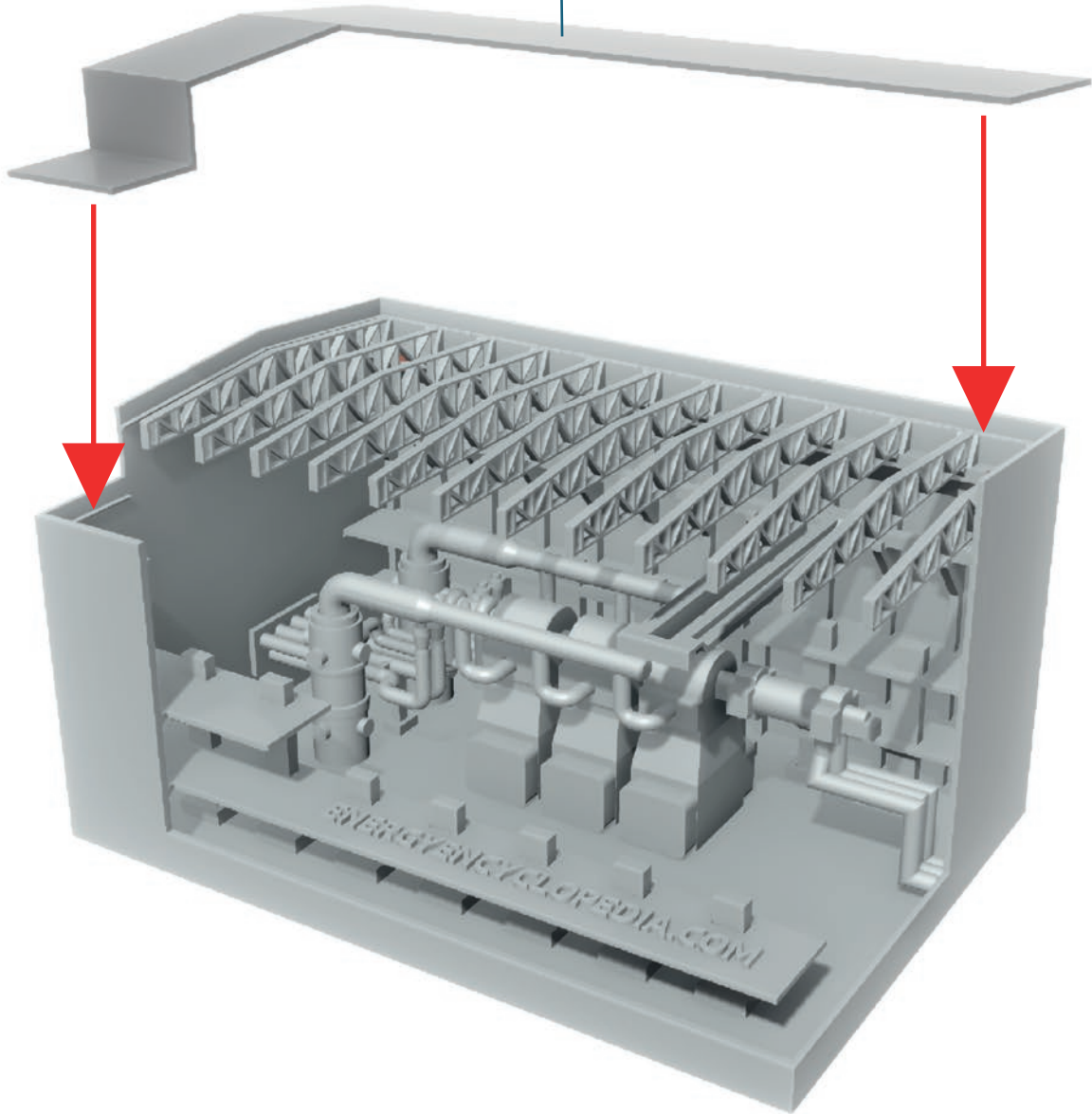
22 12x





ENERGYENCYCLOPEDIA.COM

23





24

