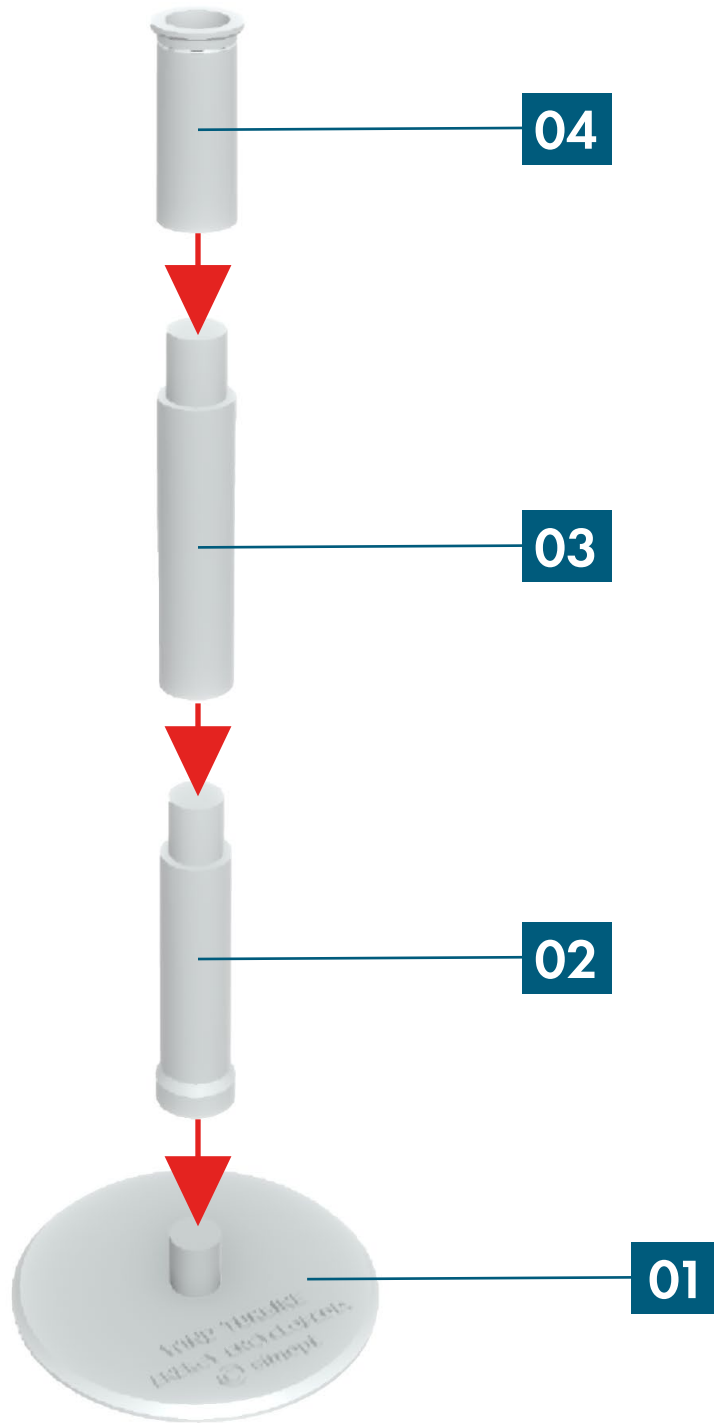
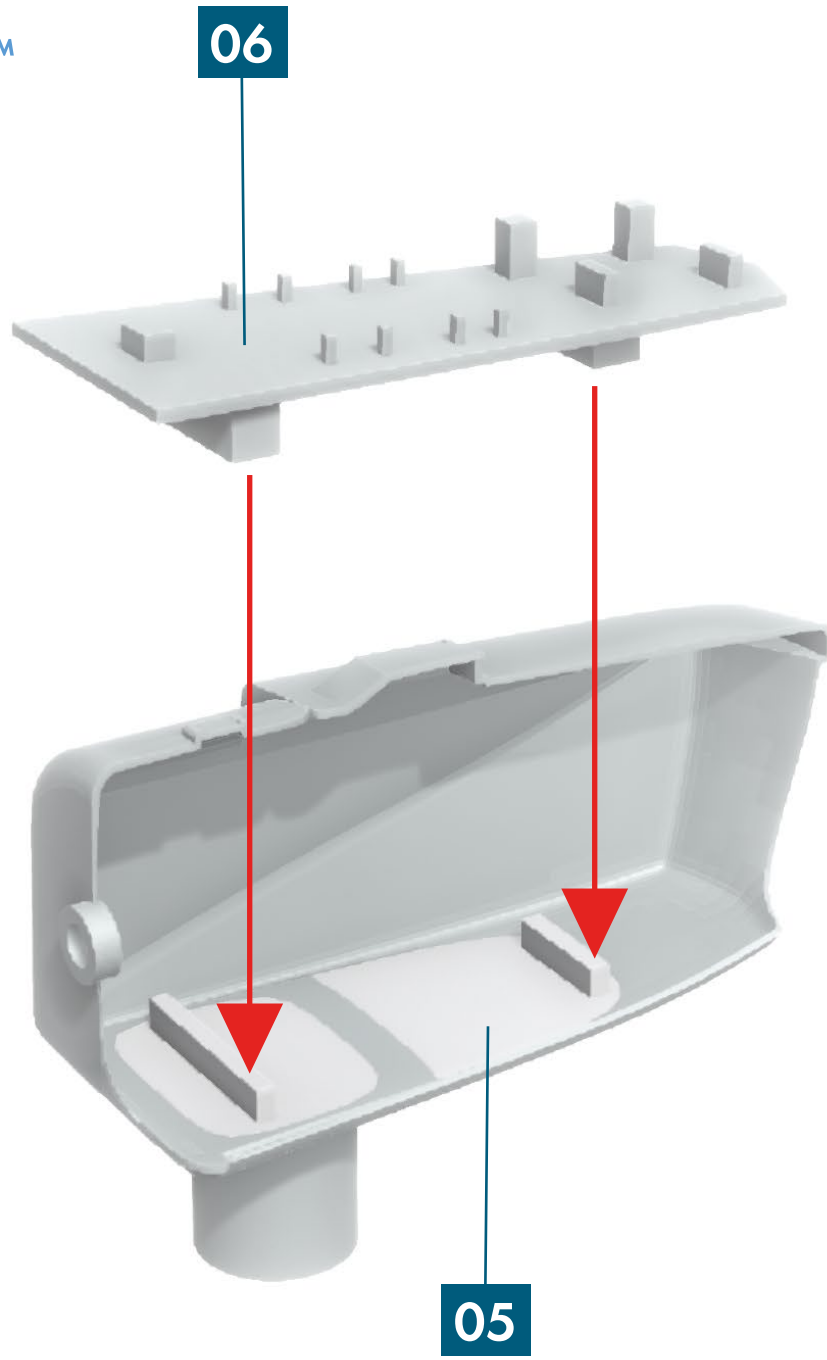


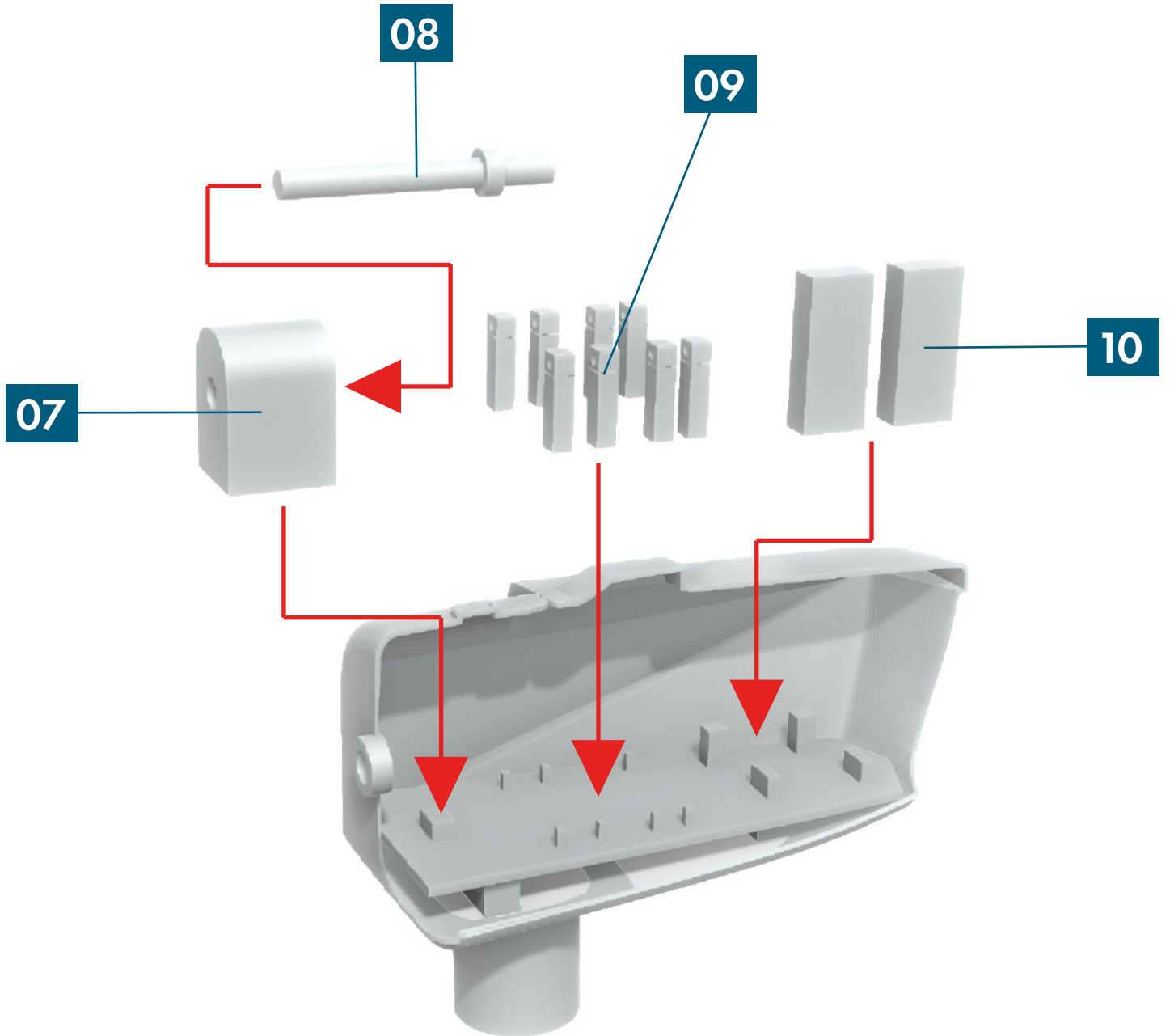
WIND TURBINE



ASSEMBLY INSTRUCTIONS









ENERGYENCYCLOPEDIA.COM

