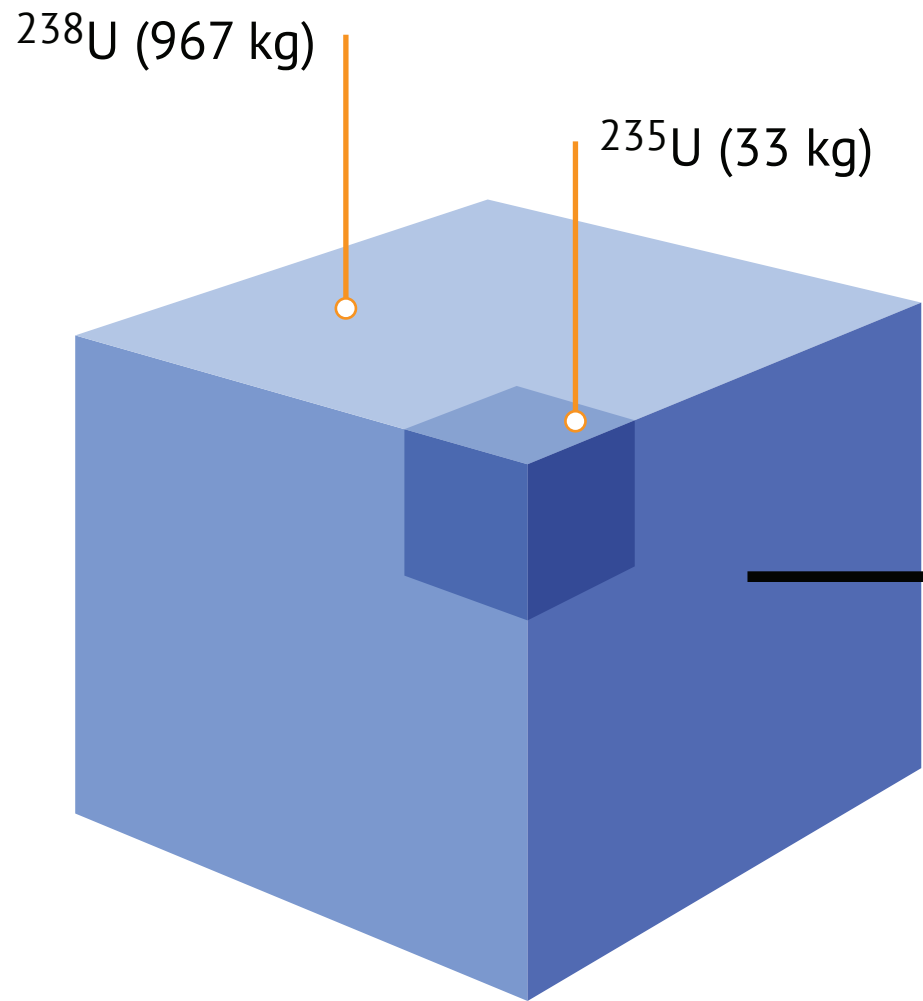
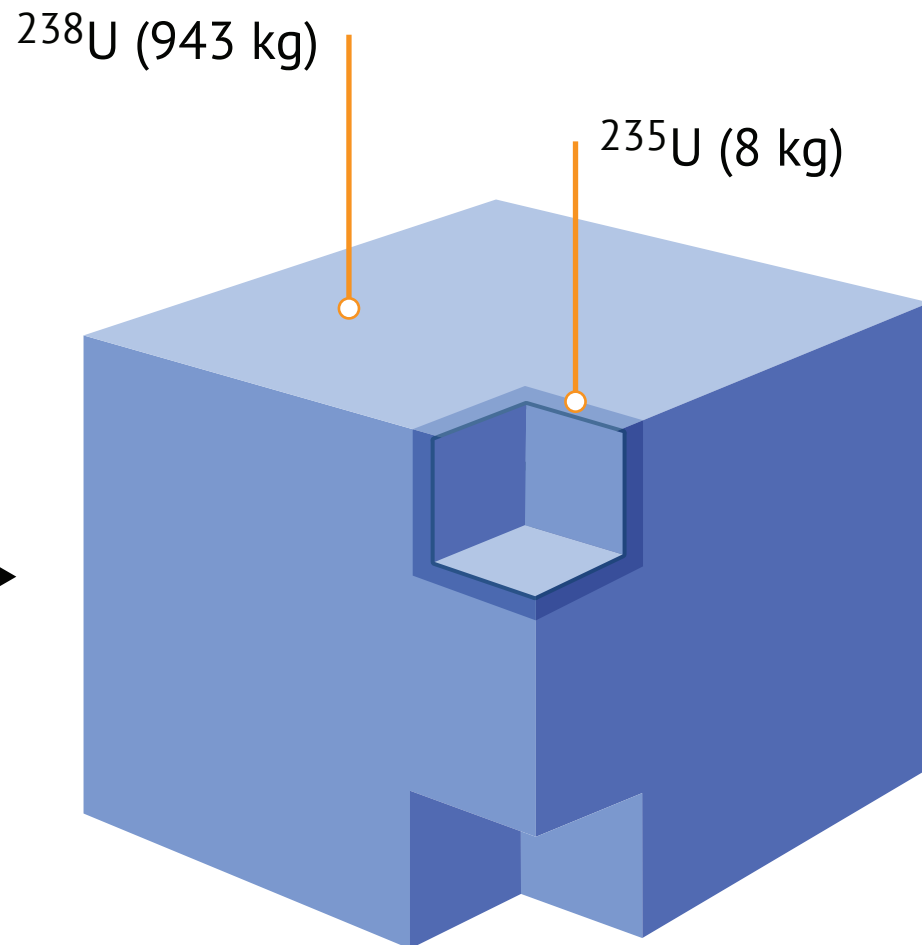


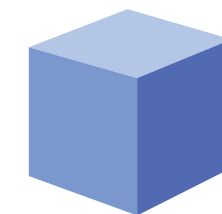
The original volume of the nuclear fuel (1,000 kg)



Spent nuclear fuel (1,000 kg)



+



Fission products (35 kg)



Individual plutonium isotopes (8.9 kg)



^{236}U (4.6 kg)



^{236}Np (0.5 kg)



^{243}Am (0.12 kg)



^{244}Cm (0.04 kg)